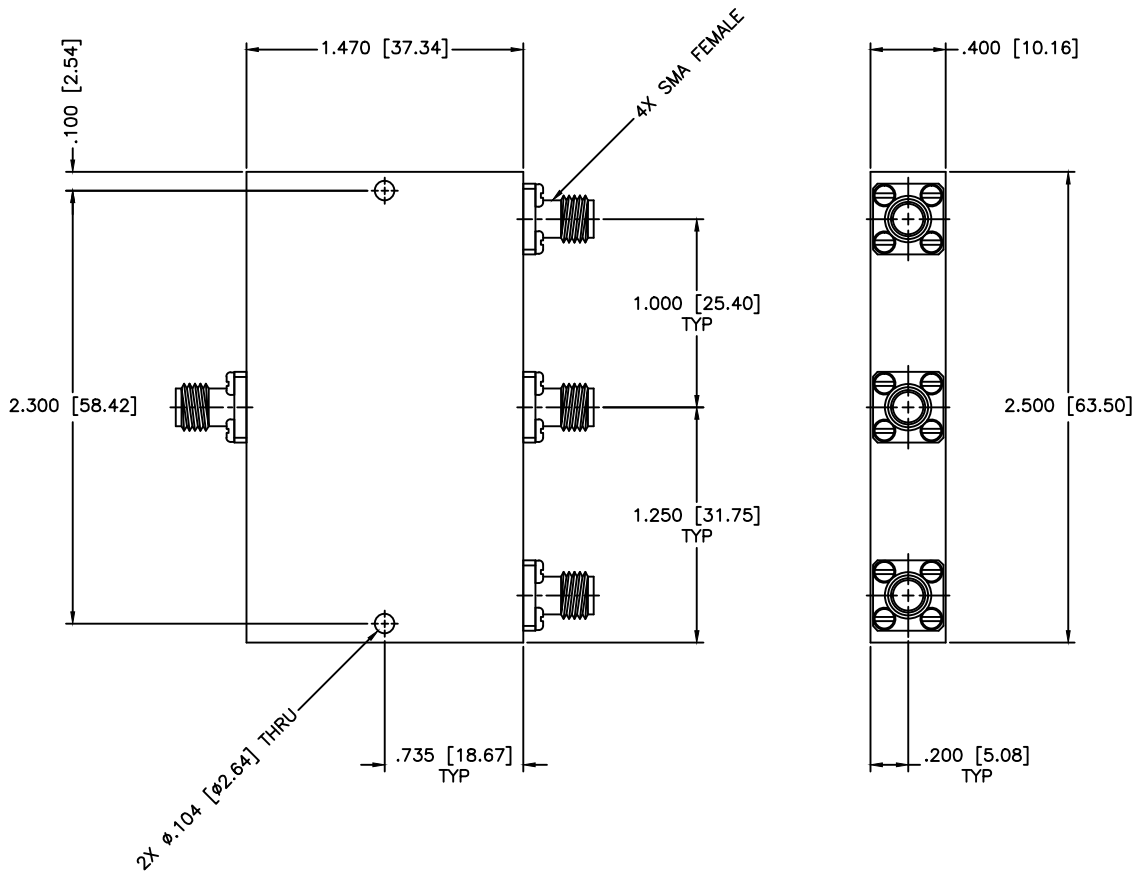


REVISIONS				
ZONE	REV	DESCRIPTION	Date	APPROVED



SPECIFICATIONS

Frequency Range: 4.4–5.1 GHz
 Insertion Loss: 0.4dB Max.
 Isolation: 18dB Min.
 VSWR: 1.40:1 Max.
 Phase Balance: ±6 Deg. Max.
 Amplitude Balance: ±0.2dB Max.
 Power: 20 Watts (Load vswr@1.2)

MATERIAL:	
DRAWN: Paihoon Luekhamhan	DATE: 08-01-2003
APPROVED: T. Nguyen	DATE: 08-01-2003

MCLI MICROWAVE COMMUNICATIONS LABORATORIES INC. 7255 30TH AVE. N. SAINT PETERSBURG, FL 33710 TEL: (727) 344-6254 FAX: (727) 381-6116 http://www.MCLI.COM	SCALE:	N/A
	SHEET:	N/A
UNLESS OTHERWISE SPECIFIED: TOLERANCES IN (INCHES) OR [mm] (MILLIMETERS) FRACTIONS: ± 1/64 DECIMALS: ±.01 ±.005 ANGLE: ±1/2°	DRAWING TITLE: 3-WAY POWER DIVIDER	
PROPRIETARY NOTICE: THE INFORMATION IN THIS DRAWING IS PROPRIETARY AND SHALL NOT BE USED OR DISCLOSED WITHOUT WRITTEN PERMISSION FROM MICROWAVE COMMUNICATIONS LABORATORIES INC. (MCLI)	PART NO.: PS3-97/S	
THIRD ANGLE PROJECTION	CAGE CODE: OD2L5	SIZE: A REV: N/A DWG NO.: 81998
DO NOT SCALE THE DRAWING		