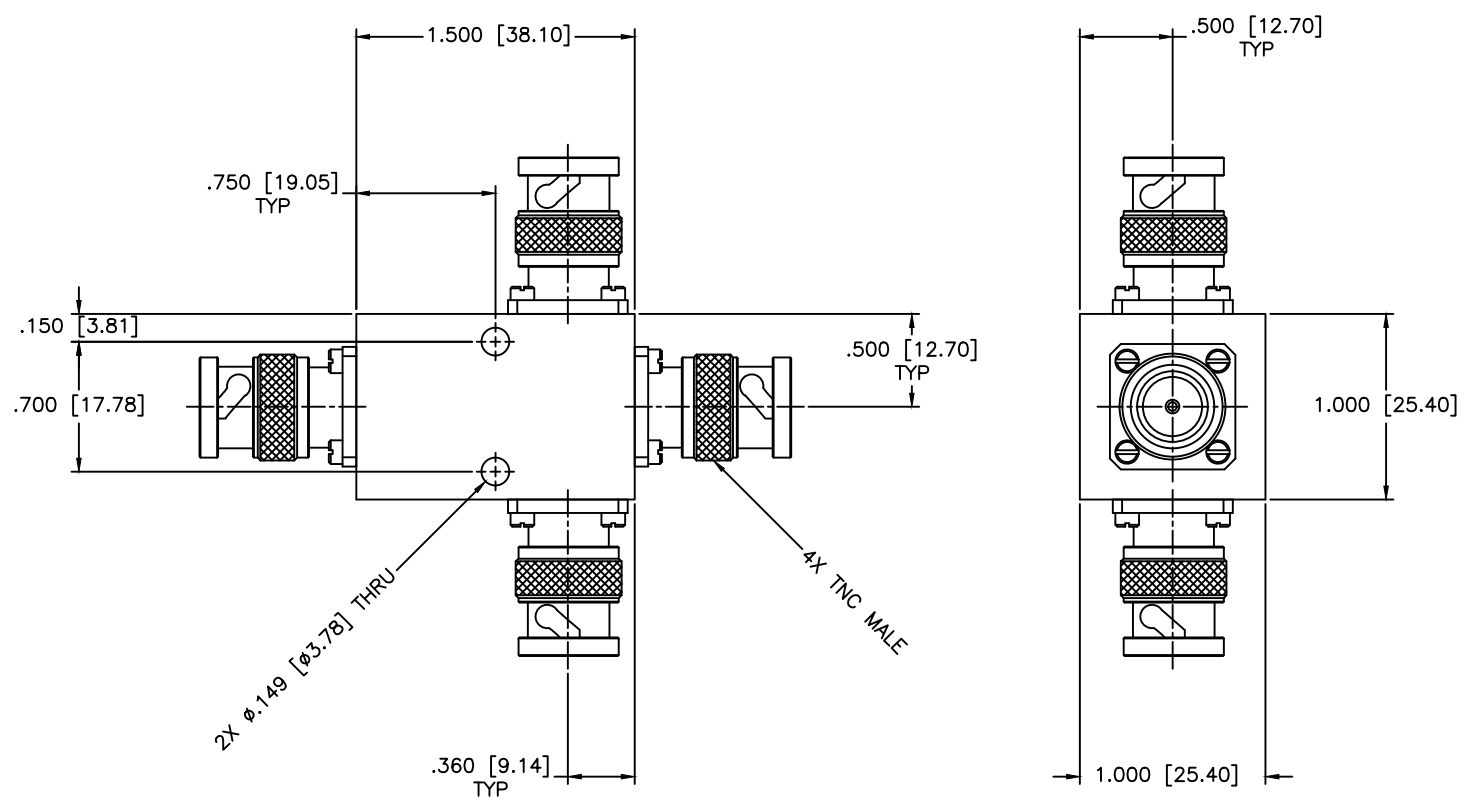


REVISIONS				
ZONE	REV	DESCRIPTION	DATE	APPROVED



SPECIFICATIONS

Frequency Range: 9–11 GHz
 Insertion Loss: 1.1dB Max.
 Isolation: 12dB Min.
 VSWR In/Out: 1.80:1/1.70:1 Max.
 Amplitude Balance: ±0.7dB Max.
 Power: 20W (Load vswr@1.2)

MATERIAL:	
DRAWN: Paiboon Luekhamhan	DATE: 10-28-2008
APPROVED: T. Nguyen	DATE: 10-28-2008

	MICROWAVE COMMUNICATIONS LABORATORIES INC. 7255 30TH AVE. N. SAINT PETERSBURG, FL 33710 TEL: (727) 344-6254 FAX: (727) 381-6116 http://WWW.MCLI.COM		SCALE: N/A
	UNLESS OTHERWISE SPECIFIED: TOLERANCES IN (INCHES) OR [mm] (MILLIMETERS) FRACTIONS: ± 1/64 DECIMALS: ±.01 ±.005 ANGLE: ±1/2°		SHEET:
DRAWING TITLE: 3-WAY POWER DIVIDER		PART NO.	
PROPRIETARY NOTICE: THE INFORMATION IN THIS DRAWING IS PROPRIETARY AND SHALL NOT BE USED OR DISCLOSED WITHOUT WRITTEN PERMISSION FROM MICROWAVE COMMUNICATIONS LABORATORIES INC. (MCLI)		PART NO. PS3-92/TNM	
CAGE CODE: OD2L5	SIZE: A	REV: N/A	DWG NO. 83980
DO NOT SCALE THE DRAWING			

