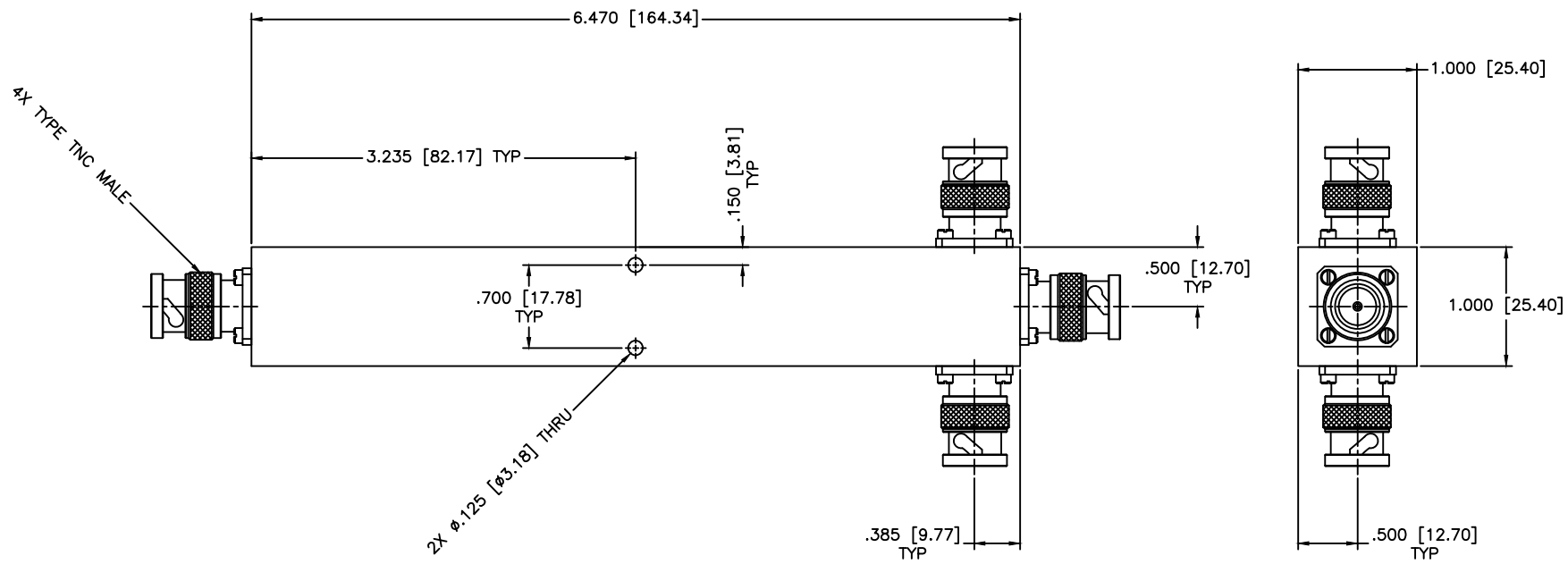


REVISIONS				
ZONE	REV	DESCRIPTION	Date	APPROVED



SPECIFICATIONS

Frequency Range: 0.8–3 GHz
 Insertion Loss: 1.4dB Max.
 Isolation: 16dB Min.
 VSWR Input/Output: 1.50:1/1.40:1 Max.
 Phase Balance: ±8 Deg. Max.
 Amplitude Balance: 0.5dB Max.
 Power: 10W (Load vswr@1.2)

MATERIAL:		MCLI MICROWAVE COMMUNICATIONS LABORATORIES INC. 7255 30TH AVE. N. SAINT PETERSBURG, FL 33710 TEL: (727) 344-6254 FAX: (727) 381-6116 http://WWW.MCLI.COM	SCALE:	N/A
			SHEET:	N/A
UNLESS OTHERWISE SPECIFIED: TOLERANCES IN (INCHES) OR [mm] (MILLIMETERS) FRACTIONS: ± 1/64 DECIMALS: ±.01 ±.005 ANGLE: ±1/2°		DRAWING TITLE: 3-WAY POWER DIVIDER		
DRAWN: Paiboon Luekhamhan		PART NO. PS3-8/TNM		
DATE: 10-28-2008		CAGE CODE: OD2L5		
APPROVED: T. Nguyen		DATE: 10-28-2008		SIZE: N/A
PROPRIETARY NOTICE: THE INFORMATION IN THIS DRAWING IS PROPRIETARY AND SHALL NOT BE USED OR DISCLOSED WITHOUT WRITTEN PERMISSION FROM MICROWAVE COMMUNICATIONS LABORATORIES INC. (MCLI)		REV: N/A		DWG NO. 83976
THIRD ANGLE PROJECTION 		DO NOT SCALE THE DRAWING		