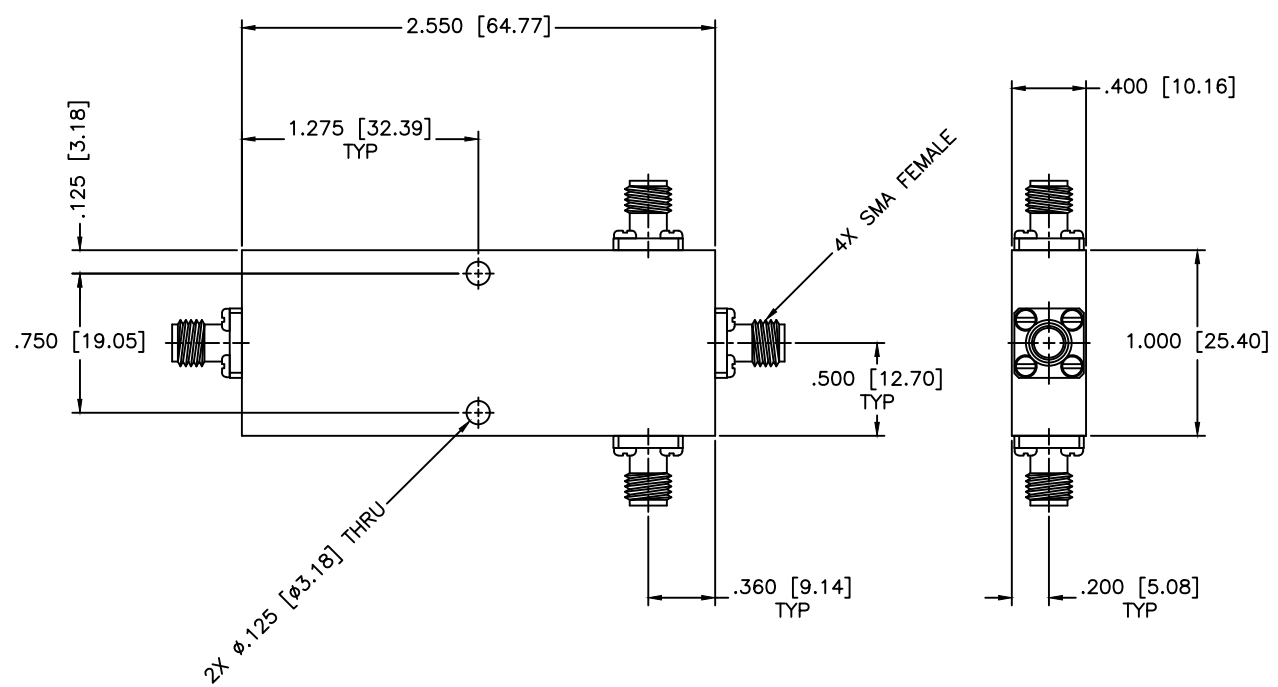


REVISIONS				
ZONE	REV	DESCRIPTION	DATE	APPROVED



SPECIFICATIONS

Frequency Range: 3.625–4.25 GHz
 Insertion Loss: 0.5dB Max.
 Isolation: 18dB Min.
 Phase Balance: ±3 Deg. Max.
 Amplitude Balance: ±0.3dB Max.
 VSWR: 1.30:1 Max.
 Power: 20W (Load vswr@1.2)

MATERIAL:		MICROWAVE COMMUNICATIONS LABORATORIES INC. 7255 30TH AVE. N. SAINT PETERSBURG, FL 33710 TEL: (727) 344-6254 FAX: (727) 381-6116 http://WWW.MCLI.COM	SCALE:	N/A
			SHEET:	N/A
		UNLESS OTHERWISE SPECIFIED: TOLERANCES IN (INCHES) OR [mm] (MILLIMETERS) FRACTIONS: ± 1/64 DECIMALS: ±.01 ±.005 ANGLE: ±1/2°	DRAWING TITLE: 3-WAY POWER DIVIDER	
DRAWN: Paiboon Luekhamhan		DATE: 10-20-1997	PART NO. PS3-19	
APPROVED: T. Nguyen		DATE: 10-20-1997	CAGE CODE: OD2L5	SIZE: A REV: N/A DWG NO.: 80089 DO NOT SCALE THE DRAWING

PROPRIETARY NOTICE:
 THE INFORMATION IN THIS DRAWING IS PROPRIETARY
 AND SHALL NOT BE USED OR DISCLOSED WITHOUT WRITTEN
 PERMISSION FROM MICROWAVE COMMUNICATIONS
 LABORATORIES INC. (MCLI)

THIRD ANGLE PROJECTION