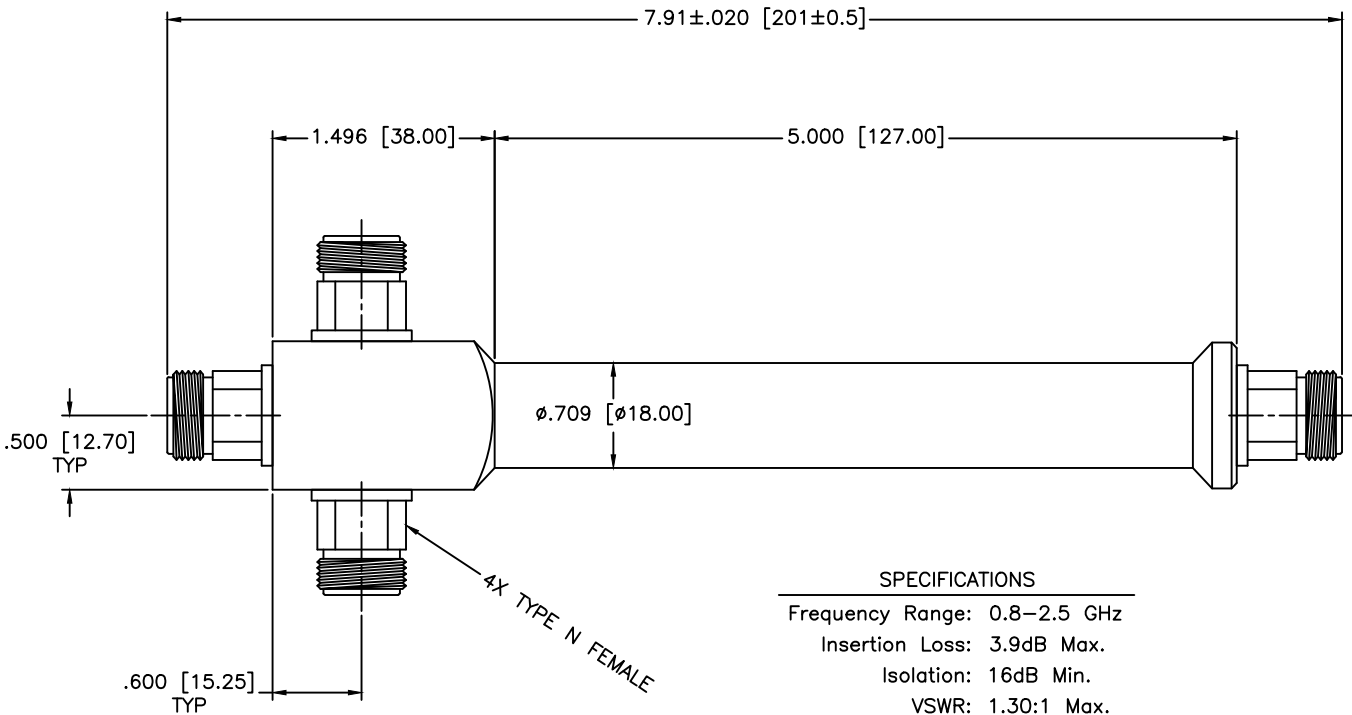
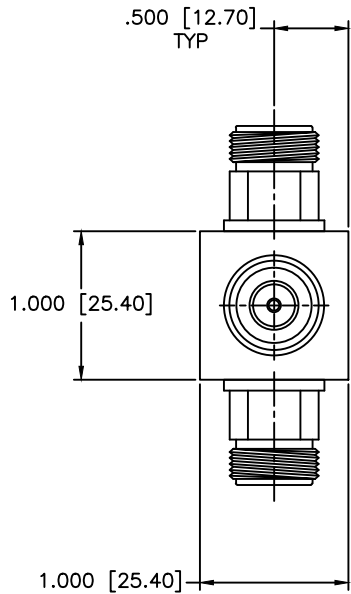


REVISIONS				
ZONE	REV	DESCRIPTION	DATE	APPROVED



**SPECIFICATIONS**

Frequency Range: 0.8–2.5 GHz  
 Insertion Loss: 3.9dB Max.  
 Isolation: 16dB Min.  
 VSWR: 1.30:1 Max.  
 Power: 200W (Load vswr@1.2)

MATERIAL:			MICROWAVE COMMUNICATIONS LABORATORIES INC. 7255 30TH AVE. N. SAINT PETERSBURG, FL 33710 TEL: (727) 344-6254 FAX: (727) 381-6116 http://WWW.MCLI.COM		SCALE: N/A
UNLESS OTHERWISE SPECIFIED: TOLERANCES IN (INCHES) OR [mm] (MILLIMETERS) FRACTIONS: ± 1/64 DECIMALS: ±.01 ±.005 ANGLE: ±1/2°			DRAWING TITLE: 3-WAY POWER DIVIDER		
DRAWN: Paiboon Luekhamhan		DATE: 07-19-2006		PART NO. PS3-114-200/NF	
APPROVED: T. Nguyen		DATE: 07-19-2006		CAGE CODE: OD2L5	SIZE: N/A REV: N/A DWG NO. 82607
PROPRIETARY NOTICE: THE INFORMATION IN THIS DRAWING IS PROPRIETARY AND SHALL NOT BE USED OR DISCLOSED WITHOUT WRITTEN PERMISSION FROM MICROWAVE COMMUNICATIONS LABORATORIES INC. (MCLI)		THIRD ANGLE PROJECTION 		DO NOT SCALE THE DRAWING	