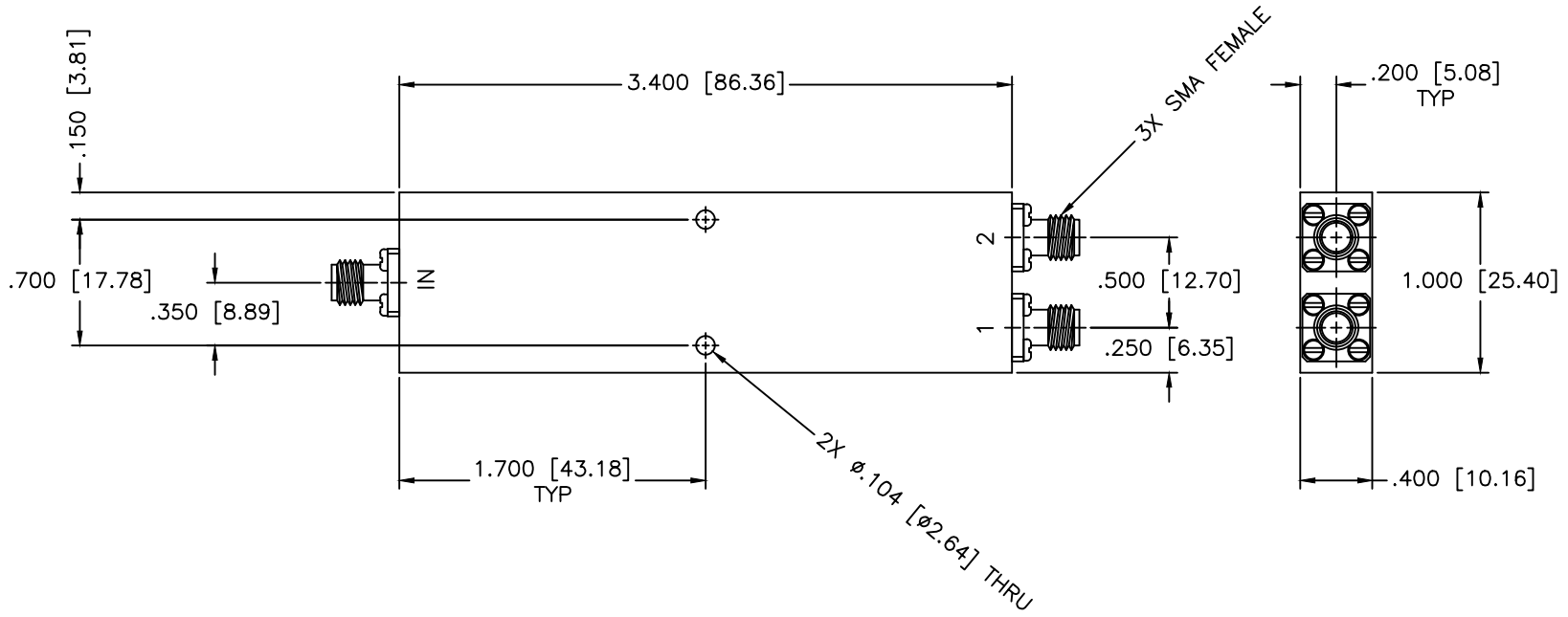


HUMIDITY: 95% RH MAX

Waterproof package

Operating temperature: -55 to +85 Degrees C

REVISIONS				
ZONE	REV	DESCRIPTION	Date	APPROVED



SPECIFICATIONS

- Frequency Range: 0.5–6.0 GHz
- Isolation: 18dB Min.
- VSWR In/Out: 1.35:1/1.30:1 Max.
- Insertion Loss: 1.0dB Max.
- Amplitude Balance: ±0.40 dB Max.
- Phase Balance: ±5 Deg. Max.
- Power Rating: 30W (Load vswr@1.2)

MATERIAL:		MICROWAVE COMMUNICATIONS LABORATORIES INC. 7255 30TH AVE. N. SAINT PETERSBURG, FL 33710 TEL: (727) 344-6254 FAX: (727) 381-6116 http://WWW.MCLI.COM		SCALE: N/A
UNLESS OTHERWISE SPECIFIED: TOLERANCES IN (INCHES) OR [mm] (MILLIMETERS) FRACTIONS: ± 1/64 DECIMALS: ±.01 ±.005 ANGLE: ±1/2°		DRAWING TITLE: 2-WAY RF POWER DIVIDER		SHEET: N/A
DRAWN: Paiboon Luekhamhan		DATE: 02-06-2020		PART NO.: PS2-94-W
APPROVED: T. Nguyen		DATE: 02-06-2020		
PROHIBITORY NOTICE: THE INFORMATION IN THIS DRAWING IS PROPRIETARY AND SHALL NOT BE USED OR DISCLOSED WITHOUT WRITTEN PERMISSION FROM MICROWAVE COMMUNICATIONS LABORATORIES INC. (MCLI)		THIRD ANGLE PROJECTION 		CAGE CODE: OD2L5
SIZE: A REV: B DO NOT SCALE THE DRAWING		DWG NO.: 84632		