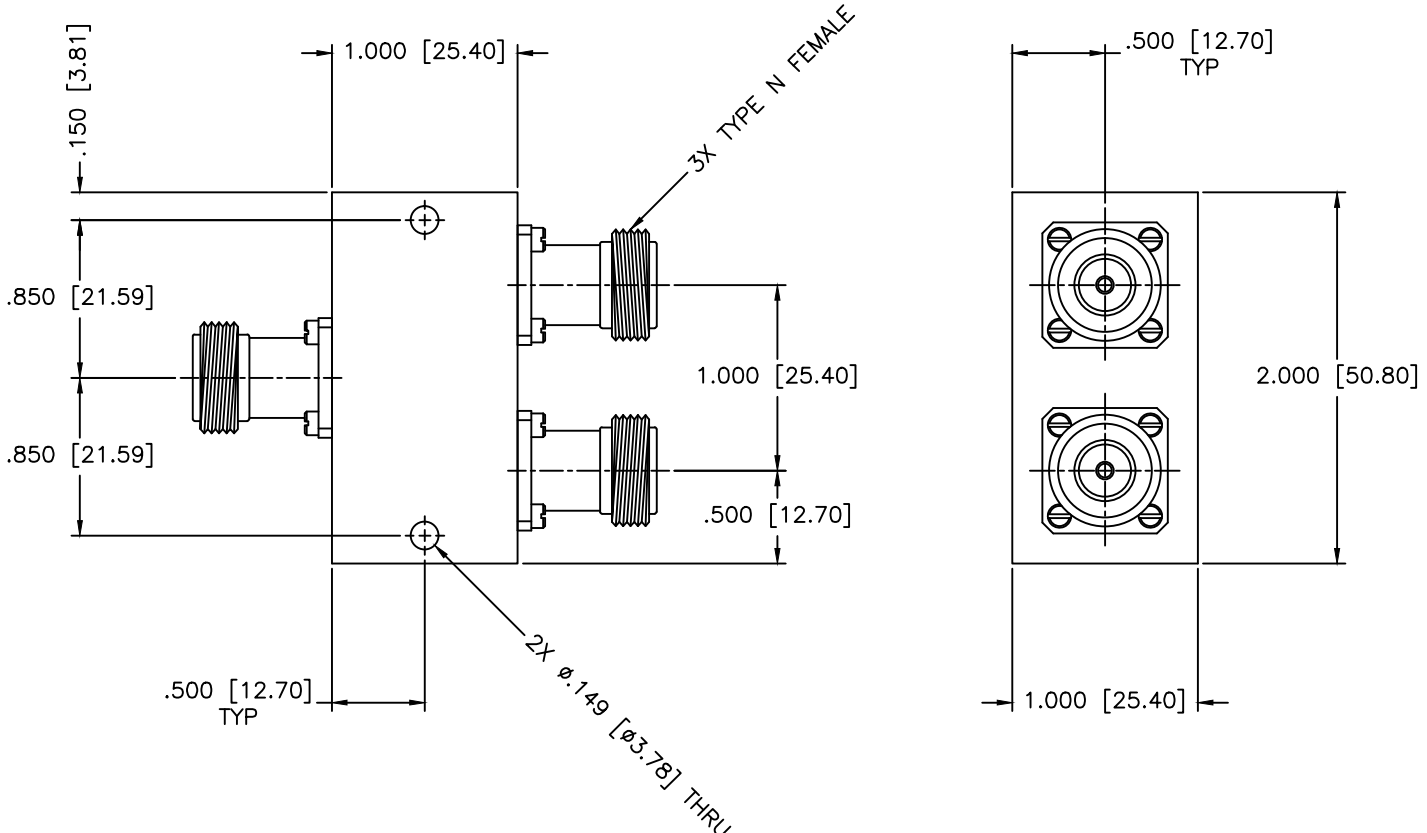


REVISIONS				
ZONE	REV	DESCRIPTION	DATE	APPROVED



SPECIFICATIONS

Frequency Range: 10.9–12.75 GHz
 Insertion Loss: 0.9dB Max.
 Isolation: 12dB Min.
 VSWR In/Out: 1.80:1/1.70:1 Max.
 Phase Balance: ±7 Deg. Max.
 Amplitude Balance: ±0.3dB Max.
 Power: 30W (Load vswr@1.2)

MATERIAL:	
DRAWN: Pai boon Luekhamhan	DATE: 06-28-1999
APPROVED: T. Nguyen	DATE: 06-28-1999

	MICROWAVE COMMUNICATIONS LABORATORIES INC. 7255 30TH AVE. N. SAINT PETERSBURG, FL 33710 TEL: (727) 344-6254 FAX: (727) 381-6116 http://WWW.MCLI.COM		SCALE: N/A
	UNLESS OTHERWISE SPECIFIED: TOLERANCES IN (INCHES) OR [mm] (MILLIMETERS) FRACTIONS: ± 1/64 DECIMALS: ±.01 ±.005 ANGLE: ±1/2°		SHEET: N/A
PROPRIETARY NOTICE: THE INFORMATION IN THIS DRAWING IS PROPRIETARY AND SHALL NOT BE USED OR DISCLOSED WITHOUT WRITTEN PERMISSION FROM MICROWAVE COMMUNICATIONS LABORATORIES INC. (MCLI)		DRAWING TITLE: 2-WAY POWER DIVIDER	
PART NO. PS2-60/NF		CAGE CODE: OD2L5	
THIRD ANGLE PROJECTION 		SIZE: A	REV: N/A
		DO NOT SCALE THE DRAWING	
		DWG NO. 80905	