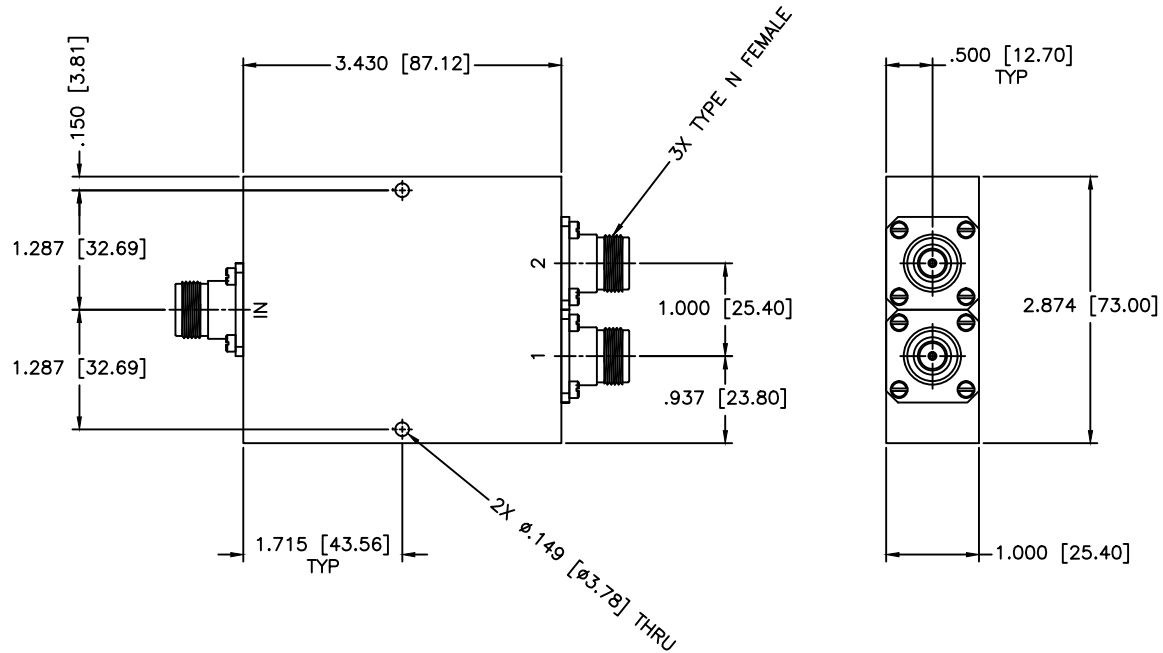


REVISIONS				
ZONE	REV	DESCRIPTION	DATE	APPROVED



SPECIFICATIONS

Frequency Range: 0.45–0.96 GHz
 Insertion Loss: 0.5dB Max.
 Isolation: 20dB Min.
 VSWR In/Out: 1.35:1/1.20:1 Max.
 Phase Balance: ±4 Deg. Max.
 Amplitude Balance: ±0.2dB Max.
 Power: 30W (Load vswr@1.2)

MATERIAL:			MICROWAVE COMMUNICATIONS LABORATORIES INC. 7255 30TH AVE. N. SAINT PETERSBURG, FL 33710 TEL: (727) 344-6254 FAX: (727) 381-6116 http://www.MCLI.COM		SCALE: N/A
UNLESS OTHERWISE SPECIFIED: TOLERANCES IN (INCHES) OR [mm] (MILLIMETERS) FRACTIONS: ± 1/64 DECIMALS: ±.01 ±.005 ANGLE: ±1/2°			DRAWING TITLE: 2-WAY POWER DIVIDER		SHEET: N/A
DRAWN: Paiboon Luekhamhan		DATE: 02-17-1998		PART NO.: PS2-30/NF	
APPROVED: T. Nguyen		DATE: 02-17-1998		CAGE CODE: OD2L5	SIZE: C
PROPRIETARY NOTICE: THE INFORMATION IN THIS DRAWING IS PROPRIETARY AND SHALL NOT BE USED OR DISCLOSED WITHOUT WRITTEN PERMISSION FROM MICROWAVE COMMUNICATIONS LABORATORIES INC. (MCLI)		REV: N/A DWG NO.: 80890		DO NOT SCALE THE DRAWING	