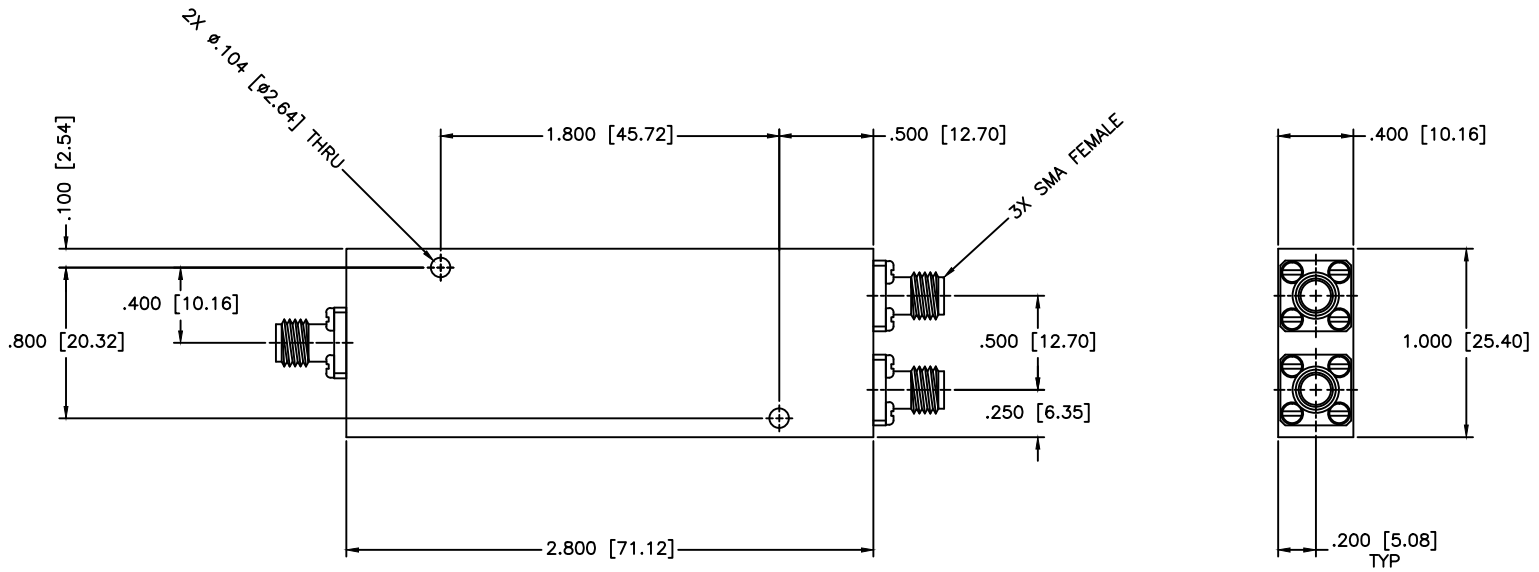


REVISIONS				
ZONE	REV	DESCRIPTION	Date	APPROVED



SPECIFICATIONS

Frequency Range: 0.5–2.0 GHz
 Insertion Loss: 0.6dB Max.
 Isolation: 22dB Min.
 Amplitude Balance: ± 0.2 dB Max.
 VSWR IN/OUT: 1.25:1/1.15:1 Max.
 Phase Balance: ± 2 Deg. Max.
 Power: 30 Watts (Load vswr @ 1.2)

MATERIAL:		MICROWAVE COMMUNICATIONS LABORATORIES INC. 7255 30TH AVE. N. SAINT PETERSBURG, FL 33710 TEL: (727) 344-6254 FAX: (727) 381-6116 http://WWW.MCLI.COM	SCALE:	N/A
			SHEET:	N/A
UNLESS OTHERWISE SPECIFIED: TOLERANCES IN (INCHES) OR [mm] (MILLIMETERS) FRACTIONS: $\pm 1/64$ DECIMALS: $\pm 0.01 \pm 0.005$ ANGLE: $\pm 1/2^\circ$		DRAWING TITLE: 2-WAY POWER DIVIDER		
DRAWN: Paiboon Luekhamhan		PART NO. PS2-3/0		
DATE: 02-11-1997	DATE: 02-11-1997	CAGE CODE: OD2L5	SIZE: A	REV: N/A
APPROVED: T. Nguyen		DWG NO. 80802		
<small>PROPRIETARY NOTICE: THE INFORMATION IN THIS DRAWING IS PROPRIETARY AND SHALL NOT BE USED OR DISCLOSED WITHOUT WRITTEN PERMISSION FROM MICROWAVE COMMUNICATIONS LABORATORIES INC. (MCLI)</small> 		DO NOT SCALE THE DRAWING		