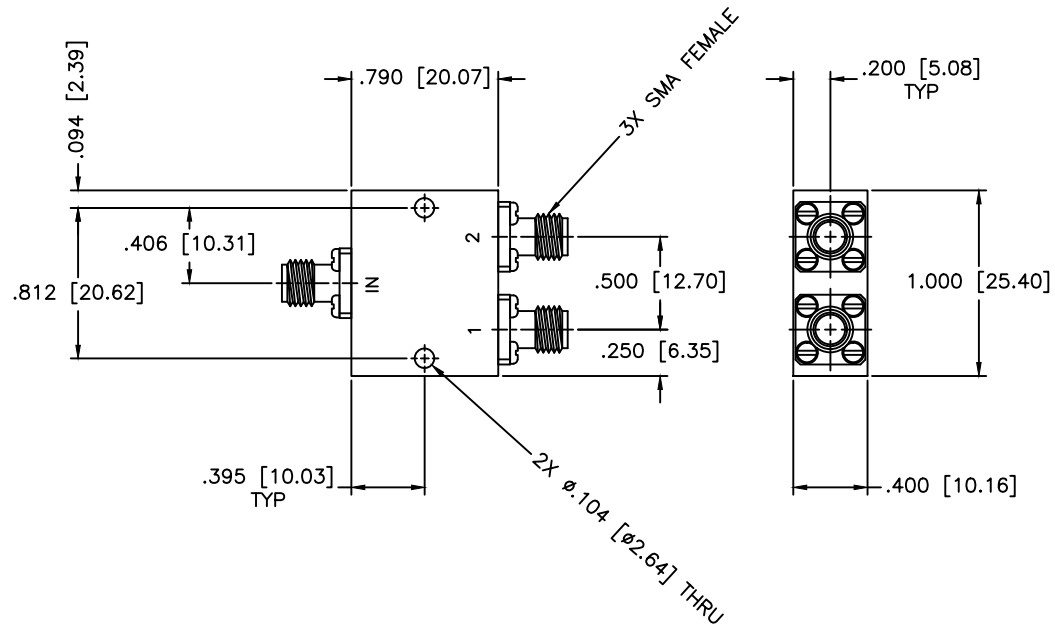
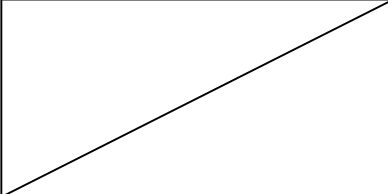



REVISIONS				
ZONE	REV	DESCRIPTION	Date	APPROVED



SPECIFICATIONS

Frequency Range: 10–15 GHz
 Insertion Loss: 0.5dB Max.
 Isolation: 18dB Min.
 VSWR: 1.40:1 Max.
 Phase Balance: ±6 Deg. Max.
 Amplitude Balance: ±0.3dB Max.
 Power: 30W (Load vswr@1.2)

				MICROWAVE COMMUNICATIONS LABORATORIES INC. 7255 30TH AVE. N. SAINT PETERSBURG, FL 33710 TEL: (727) 344-6254 FAX: (727) 381-6116 http://WWW.MCLI.COM		SCALE:	N/A
		UNLESS OTHERWISE SPECIFIED: TOLERANCES IN (INCHES) OR (mm) (MILLIMETERS) FRACTIONS: ± 1/64 DECIMALS: ±.01 ±.005 ANGLE: ±1/2°		DRAWING TITLE:		2-WAY POWER DIVIDER	
DRAWN:		DATE:		PROPERTY NOTICE: THE INFORMATION IN THIS DRAWING IS PROPRIETARY AND SHALL NOT BE USED OR DISCLOSED WITHOUT WRITTEN PERMISSION FROM MICROWAVE COMMUNICATIONS LABORATORIES INC. (MCLI)		PART NO.:	
APPROVED:		DATE:		THIRD ANGLE PROJECTION		PS2-29	
Paiboon Luekhamhan		04-13-1999		CAGE CODE:		SIZE:	REV:
T. Nguyen		04-13-1999		OD2L5		N/A	N/A
						DWG NO.:	
						81280	
						DO NOT SCALE THE DRAWING	