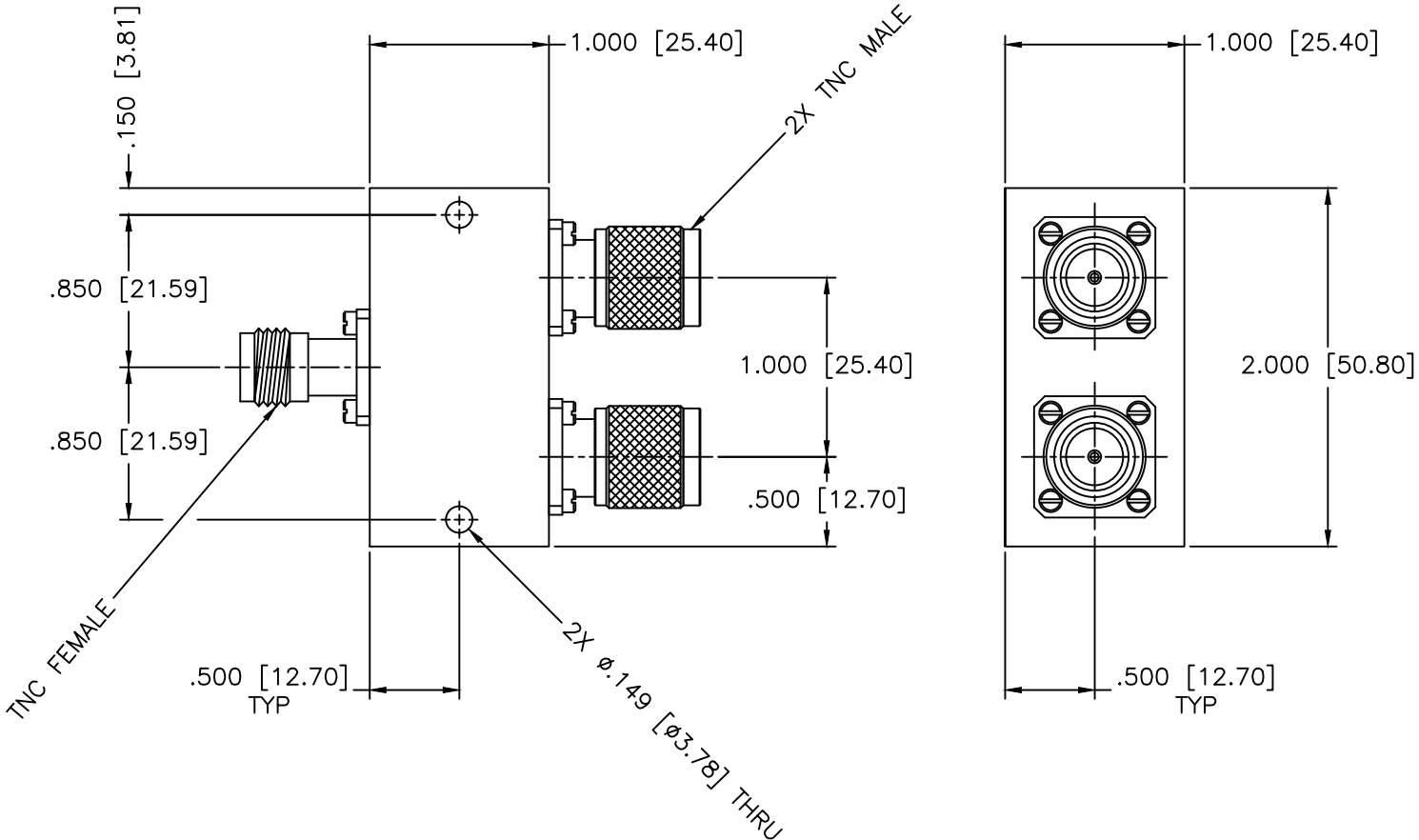


REVISIONS				
ZONE	REV	DESCRIPTION	Date	APPROVED



SPECIFICATIONS

Frequency Range: 2.20–2.30 GHz
 Insertion Loss: 0.4dB Max.
 Isolation: 18dB Min.
 VSWR In/Out: 1.30:1/1.20:1 Max.
 Phase Balance: ±4 Deg. Max.
 Amplitude Balance: ±0.3dB Max.
 Power: 30W (Load vswr@1.2)

MATERIAL:	
DRAWN: Paiboon Luekhamhan	DATE: 07-27-2011
APPROVED: T. Nguyen	DATE: 07-27-2011

MCLI MICROWAVE COMMUNICATIONS LABORATORIES INC.
 7255 30TH AVE. N. SAINT PETERSBURG, FL 33710
 TEL: (727) 344-6254 FAX: (727) 381-6116
 http://WWW.MCLI.COM

UNLESS OTHERWISE SPECIFIED:
 TOLERANCES
 IN (INCHES) OR [mm] (MILLIMETERS)
 FRACTIONS: ± 1/64
 DECIMALS: ±.01 ±.005
 ANGLE: ±1/2°

SCALE:	N/A		
SHEET:	N/A		
DRAWING TITLE:	2-WAY POWER DIVIDERS		
PART NO.:	PS2-242/TMO		
CAGE CODE:	SIZE:	REV:	DWG NO.:
OD2L5	A	N/A	85791
DO NOT SCALE THE DRAWING			

PROPRIETARY NOTICE:
 THE INFORMATION IN THIS DRAWING IS PROPRIETARY
 AND SHALL NOT BE USED OR DISCLOSED WITHOUT WRITTEN
 PERMISSION FROM MICROWAVE COMMUNICATIONS
 LABORATORIES INC. (MCLI)
 THIRD ANGLE PROJECTION