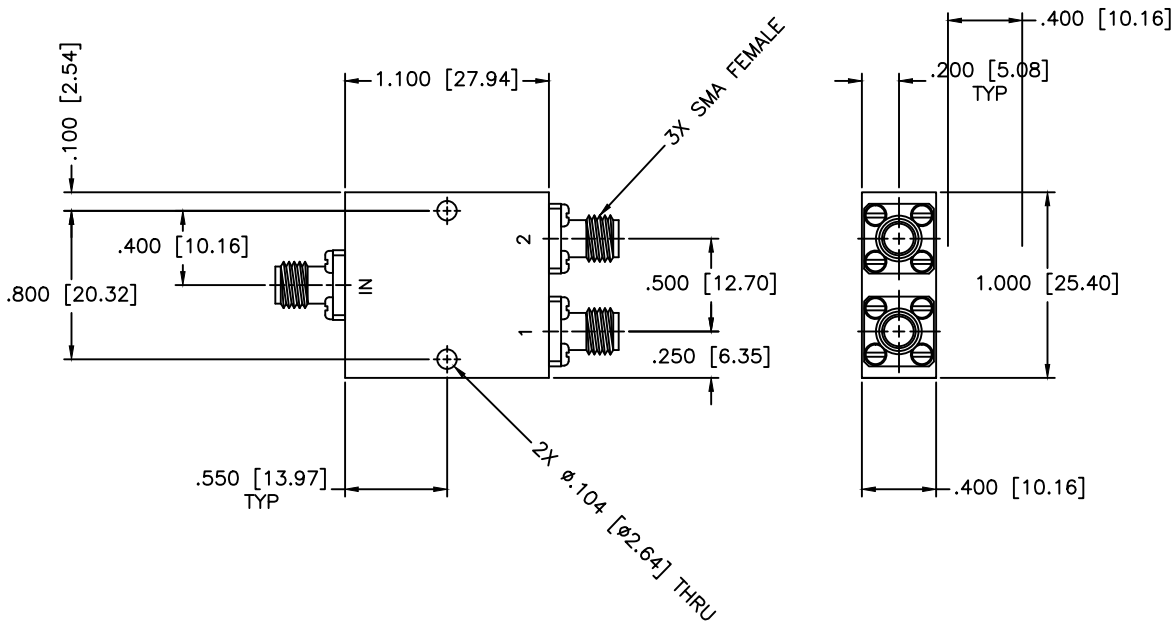


REVISIONS				
ZONE	REV	DESCRIPTION	Date	APPROVED



**SPECIFICATIONS**

Frequency Range: 3.70–6.45 GHz  
 Insertion Loss: 0.4dB Max.  
 Isolation: 20dB Min.  
 VSWR: 1.20:1 Max.  
 Phase Balance: ±2 Deg. Max.  
 Amplitude Balance: ±0.2dB Max.  
 Power: 30W (Load vswr@1.2)

		<b>MCLI</b> MICROWAVE COMMUNICATIONS LABORATORIES INC. 7255 30TH AVE. N. SAINT PETERSBURG, FL 33710 TEL: (727) 344-6254 FAX: (727) 381-6116 <a href="http://WWW.MCLI.COM">http://WWW.MCLI.COM</a>		SCALE: N/A
		UNLESS OTHERWISE SPECIFIED: TOLERANCES IN (INCHES) OR [mm] (MILLIMETERS) FRACTIONS: ± 1/64 DECIMALS: ±.01 ±.005 ANGLE: ±1/2°		SHEET: N/A
DRAWING TITLE: <h3>2-WAY POWER DIVIDER</h3>		PART NO.: <h3>PS2-24</h3>		
DRAWN: Paiboon Luekhamhan	DATE: 09-08-1999	CAGE CODE: OD2L5	SIZE: N/A REV: A	DWG NO.: 80875
APPROVED: T. Nguyen		DO NOT SCALE THE DRAWING		