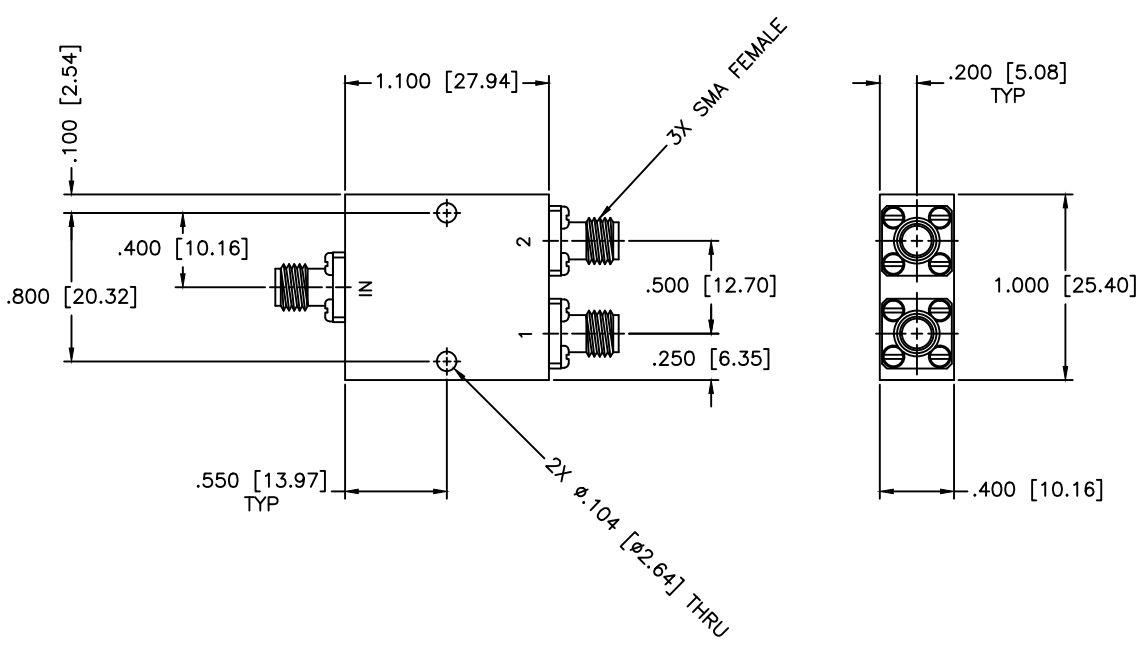


| REVISIONS | | | | |
|-----------|-----|-------------|------|----------|
| ZONE | REV | DESCRIPTION | Date | APPROVED |



SPECIFICATIONS

Frequency Range: 5.3–5.9 GHz
 Insertion Loss: 0.5dB Max.
 Isolation: 18dB Min.
 Amplitude balance: ±0.3dB
 Phase balance: ±3 Deg. Max.
 VSWR: 1.35:1 Max.
 Power: 60W CW Max.

| | | | | | | | |
|--------------------|--|------------|--|---|--|--------------------------|--------|
| | | | | MICROWAVE COMMUNICATIONS LABORATORIES INC. 7255 30TH AVE. N. SAINT PETERSBURG, FL 33710 TEL: (727) 344-6254 FAX: (727) 381-6116 http://WWW.MCLI.COM | | SCALE: | N/A |
| | | | | UNLESS OTHERWISE SPECIFIED: TOLERANCES IN (INCHES) OR [mm] (MILLIMETERS) FRACTIONS: ± 1/64 DECIMALS: ±.01 ±.005 ANGLE: ±1/2° | | DRAWING TITLE: | |
| DRAWN: | | DATE: | | PROPERTY NOTICE: THE INFORMATION IN THIS DRAWING IS PROPRIETARY AND SHALL NOT BE USED OR DISCLOSED WITHOUT WRITTEN PERMISSION FROM MICROWAVE COMMUNICATIONS LABORATORIES INC. (MCLI) | | PART NO.: | |
| APPROVED: | | DATE: | | THIRD ANGLE PROJECTION | | DWG NO.: | |
| Paiboon Luekhamhan | | 05-14-2009 | | OD2L5 | | 84478 | |
| T. Nguyen | | 05-14-2009 | | CAGE CODE: | | SIZE: N/A | REV: A |
| | | | | | | DO NOT SCALE THE DRAWING | |