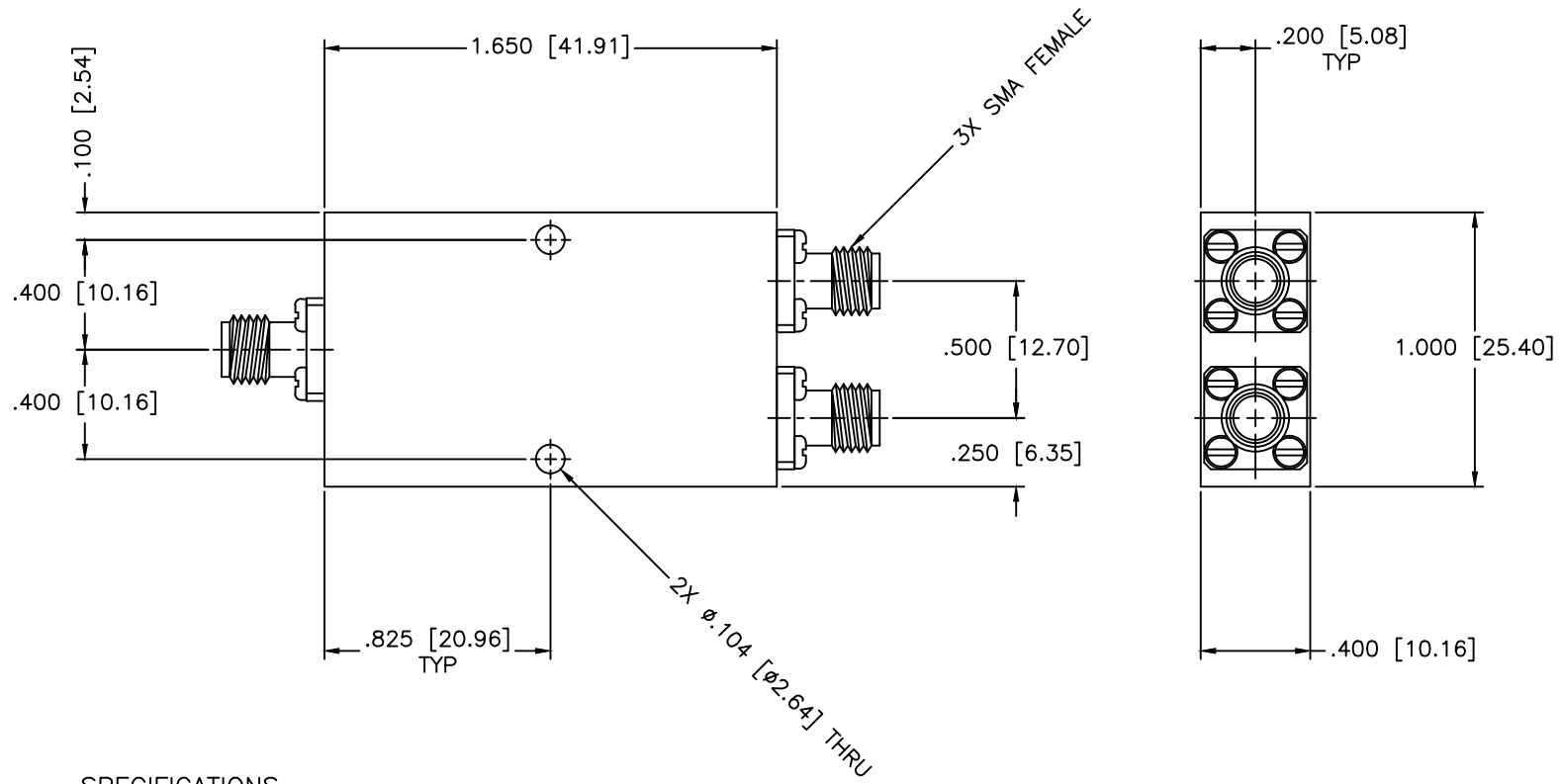


REVISIONS				
ZONE	REV	DESCRIPTION	Date	APPROVED



**SPECIFICATIONS**

Frequency Range: 1–3 GHz  
 Isolation: 20dB Min.  
 VSWR In/Out: 1.30:1/1.20:1 Max.  
 Insertion Loss: 0.40dB Max.  
 Amplitude Balance:  $\pm 0.20$ dB Max.  
 Phase Balance:  $\pm 2$  Deg. Max.  
 Power: 20W (Load vswr@1.2)

MATERIAL:			MICROWAVE COMMUNICATIONS LABORATORIES INC. 7255 30TH AVE. N. SAINT PETERSBURG, FL 33710 TEL: (727) 344-6254 FAX: (727) 381-6116 http://WWW.MCLI.COM		SCALE: N/A
UNLESS OTHERWISE SPECIFIED: TOLERANCES IN (INCHES) OR [mm] (MILLIMETERS) FRACTIONS: $\pm 1/64$ DECIMALS: $\pm 0.01 \pm 0.005$ ANGLE: $\pm 1/2^\circ$			DRAWING TITLE: <b>2-WAYS POWER DIVIDER</b>		SHEET: N/A
DRAWN: Paiboon Luekhamhan		DATE: 12-11-1997		PART NO.: PS2-23	
APPROVED: T. Nguyen		DATE: 12-11-1997		CAGE CODE: OD2L5	SIZE: N/A
PRECEDENT NOTICE: THE INFORMATION IN THIS DRAWING IS PROPRIETARY AND SHALL NOT BE USED OR DISCLOSED WITHOUT WRITTEN PERMISSION FROM MICROWAVE COMMUNICATIONS LABORATORIES INC. (MCLI)		THIRD ANGLE PROJECTION 		REV: N/A	DWG NO.: 80801
DO NOT SCALE THE DRAWING					