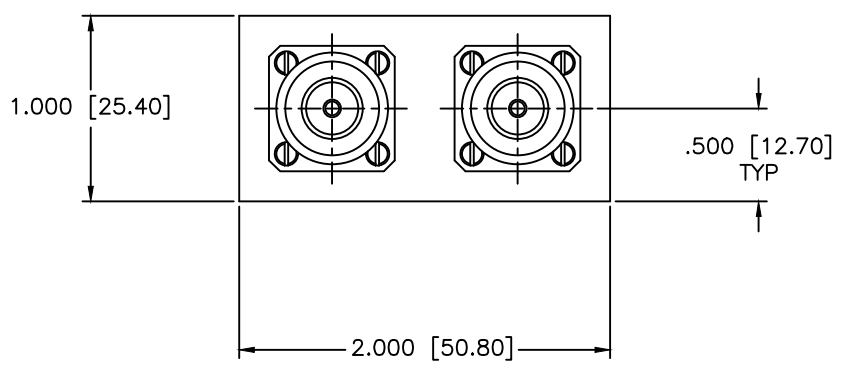
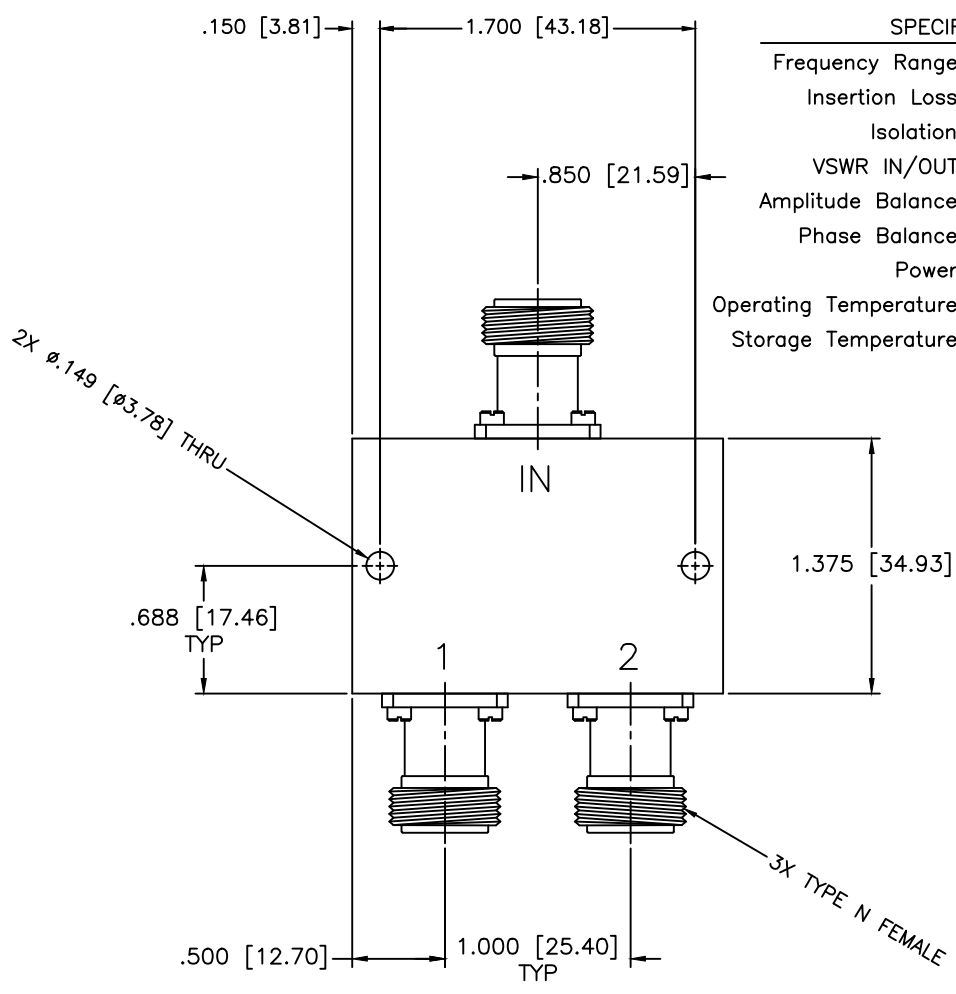


REVISIONS				
ZONE	REV	DESCRIPTION	DATE	APPROVED

**SPECIFICATIONS**  
 Frequency Range: 3.625–4.250 GHz  
 Insertion Loss: 0.30dB Max.  
 Isolation: 22dB Min.  
 VSWR IN/OUT: 1.25:1/1.20:1 Max.  
 Amplitude Balance: ±0.2dB Max.  
 Phase Balance: ±2 Deg. Max.  
 Power: 30 Watts @ 1.2:1  
 Operating Temperature: -55°C to +95°C  
 Storage Temperature: -65°C to +125°C



MATERIAL:		MICROWAVE COMMUNICATIONS LABORATORIES INC. 7255 30TH AVE. N. SAINT PETERSBURG, FL 33710 TEL: (727) 344-6254 FAX: (727) 381-6116 http://WWW.MCLI.COM		SCALE:	N/A
				SHEET:	N/A
		UNLESS OTHERWISE SPECIFIED: TOLERANCES IN (INCHES) OR [mm] (MILLIMETERS) FRACTIONS: ± 1/64 DECIMALS: ±.01 ±.005 ANGLE: ±1/2°			
DRAWN:		DATE:	DRAWING TITLE:		
Paiboon Luekhamhan		11-27-2012	2-WAY POWER DIVIDER		
APPROVED:		DATE:	PART NO.:		
T. Nguyen		11-27-2012	PS2-19-S/NF		
			CAGE CODE:	SIZE:	REV:
			OD2L5	A	N/A
			DO NOT SCALE THE DRAWING		DWG NO.:
					86193

