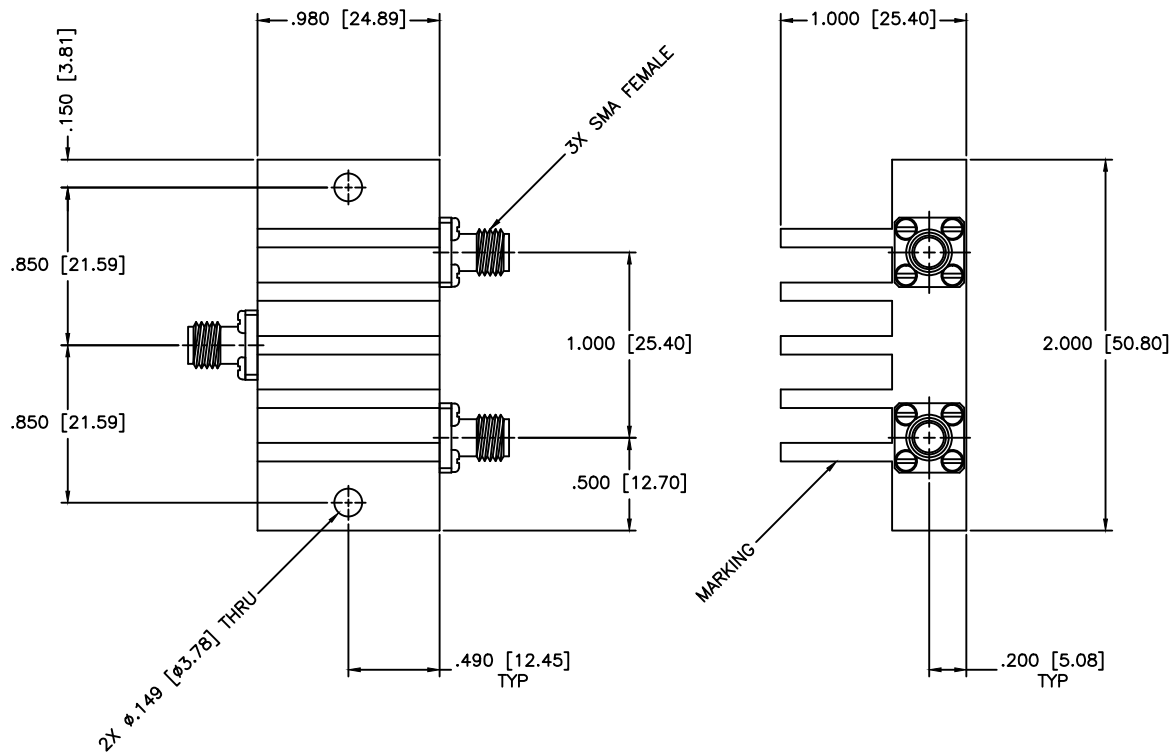


REVISIONS				
ZONE	REV	DESCRIPTION	DATE	APPROVED



SPECIFICATIONS

Frequency Range: 2.9–3.1 GHz
 Insertion Loss: 0.5dB Max.
 Isolation: 18dB Typ./16dB Min.
 Amplitude balance: ±0.15dB Max.
 Phase balance: ±2 Deg. Max.
 VSWR IN/OUT: 1.25:1/1.20:1 Max.
 Power Handling: 50W CW Max.

MATERIAL:		MICROWAVE COMMUNICATIONS LABORATORIES INC. 7255 30TH AVE. N. SAINT PETERSBURG, FL 33710 TEL: (727) 344-6254 FAX: (727) 381-6116 http://WWW.MCLI.COM	SCALE:	N/A
			SHEET:	N/A
		UNLESS OTHERWISE SPECIFIED: TOLERANCES IN (INCHES) OR [mm] (MILLIMETERS) FRACTIONS: ± 1/64 DECIMALS: ±.01 ±.005 ANGLE: ±1/2°	DRAWING TITLE: 2-WAY POWER DIVIDER/COMBINER	
		PROPRIETARY NOTICE: THE INFORMATION IN THIS DRAWING IS PROPRIETARY AND SHALL NOT BE USED OR DISCLOSED WITHOUT WRITTEN PERMISSION FROM MICROWAVE COMMUNICATIONS LABORATORIES INC. (MCLI)	PART NO. PS2-188-50	
DRAWN: Paiboon Luekhamhan	DATE: 12-02-2010	THIRD ANGLE PROJECTION 	CAGE CODE:	SIZE: A
APPROVED: T. Nguyen	DATE: 12-02-2010		OD2L5	REV: N/A
			DO NOT SCALE THE DRAWING	