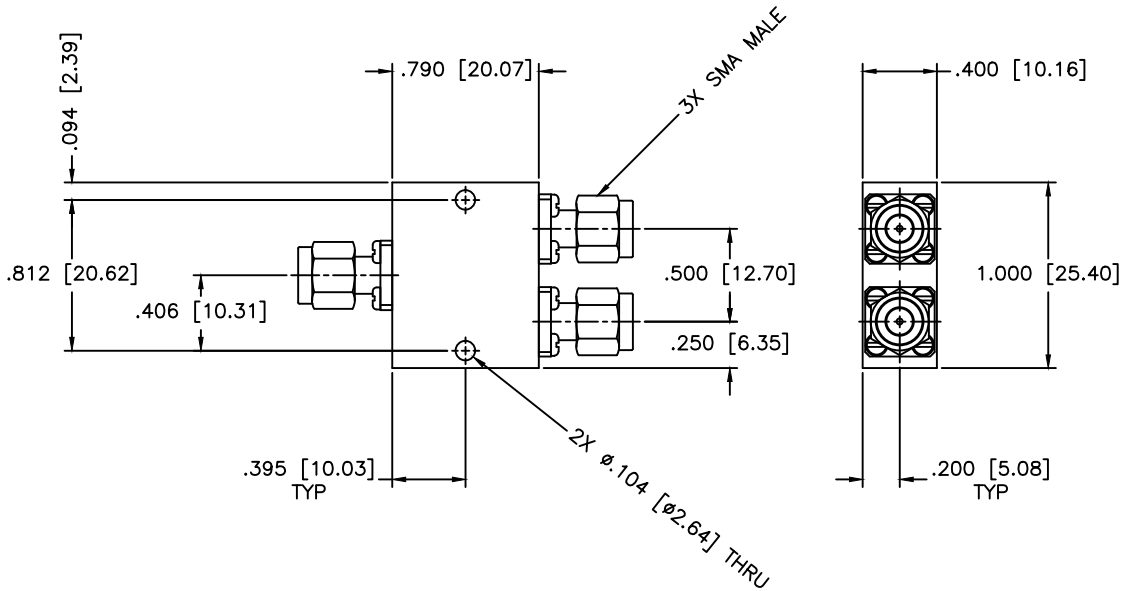




REVISIONS				
ZONE	REV	DESCRIPTION	Date	APPROVED



SPECIFICATIONS

FREQUENCY RANGE: 9–11 GHz
 ISOLATION: 20dB Min.
 VSWR IN/OUT: 1.35:1/1.30:1
 INSERTION LOSS: 0.50dB max.
 AMPLITUDE BALANCE: ±0.2dB max.
 PHASE BALANCE: ±3 Deg. max.
 POWER: 30W (Load vswr@1.2)
 OPERATING TEMPERATURE: -25°C TO +55°C

MATERIAL:		MICROWAVE COMMUNICATIONS LABORATORIES INC. 7255 30TH AVE. N. SAINT PETERSBURG, FL 33710 TEL: (727) 344-6254 FAX: (727) 381-6116 http://www.mcli.com	SCALE: N/A
UNLESS OTHERWISE SPECIFIED: TOLERANCES IN (INCHES) OR [mm] (MILLIMETERS) FRACTIONS: ± 1/64 DECIMALS: ±.01 ±.005 ANGLE: ±1/2°			SHEET: N/A
DRAWN: Paiboon Luekhamhan		DATE: 10-28-2008	DRAWING TITLE: 2-WAY POWER DIVIDER
APPROVED: T. Nguyen		DATE: 10-28-2008	PART NO. PS2-184/SM
PROPRIETARY NOTICE: THE INFORMATION IN THIS DRAWING IS PROPRIETARY AND SHALL NOT BE USED OR DISCLOSED WITHOUT WRITTEN PERMISSION FROM MICROWAVE COMMUNICATIONS LABORATORIES INC. (MCLI)		CAGE CODE: OD2L5 SIZE: A REV: N/A DO NOT SCALE THE DRAWING	DWG NO. 83975

