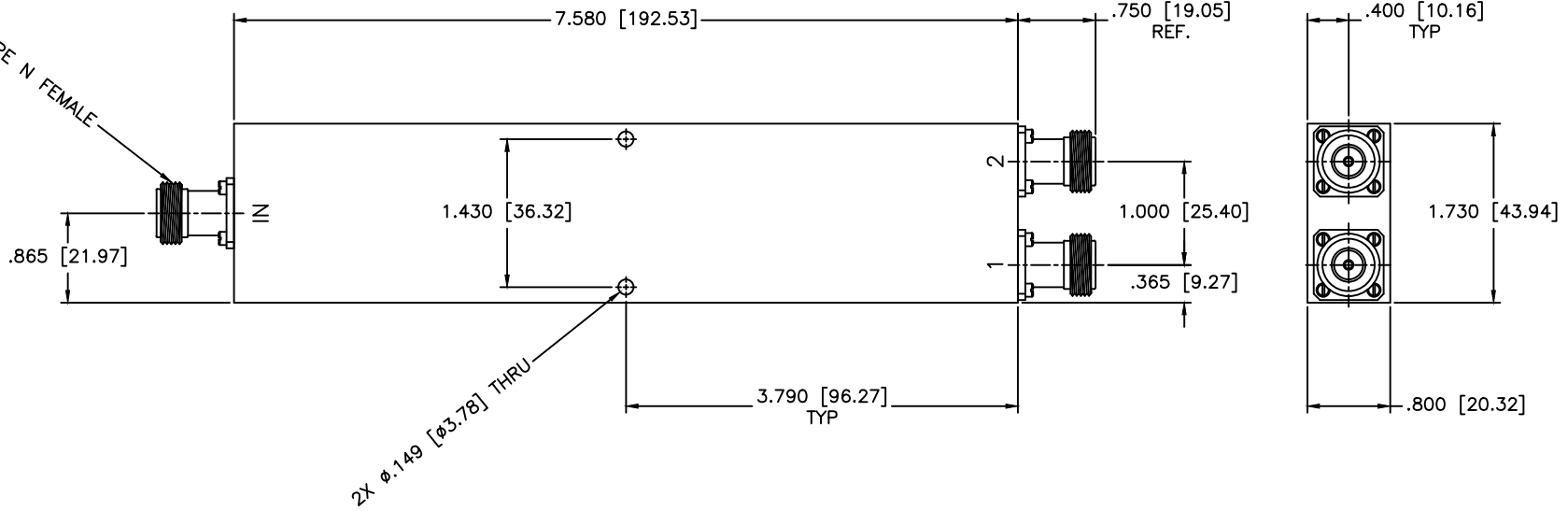


REVISIONS				
ZONE	REV	DESCRIPTION	DATE	APPROVED

3X TYPE N FEMALE



**SPECIFICATIONS**

- FREQUENCY RANGE: 0.5–12.4 GHz
- ISOLATION: 16dB Min.
- INSERTION LOSS: 1.9dB Max.
- VSWR: 1.60:1 Max.
- AMPLITUDE BALANCE: ±0.8 Max.
- PHASE BALANCE: ±10 Deg. Max.
- POWER: 20 Watts

MATERIAL:			MICROWAVE COMMUNICATIONS LABORATORIES INC. 7255 30TH AVE. N. SAINT PETERSBURG, FL 33710 TEL: (727) 344-6254 FAX: (727) 381-6116 http://www.mcli.com		SCALE: N/A
UNLESS OTHERWISE SPECIFIED: TOLERANCES IN (INCHES) OR (mm) (MILLIMETERS) FRACTIONS: ± 1/64 DECIMALS: ± 0.01 ± 0.005 ANGLE: ± 1/2°			DRAWING TITLE: <b>2-WAY RF POWER DIVIDER</b>		SHEET: N/A
DRAWN: Piaboon Luekhamhan		DATE: 04-13-2012		PART NO.: PS2-175/NF	
APPROVED: T. Nguyen		DATE: 04-13-2012		CAGE CODE: OD2L5	SIZE: N/A REV: N/A DWG NO.: 86077
PROPRIETARY NOTICE: THE INFORMATION IN THIS DRAWING IS PROPRIETARY AND SHALL NOT BE USED OR DISCLOSED WITHOUT WRITTEN PERMISSION FROM MICROWAVE COMMUNICATIONS LABORATORIES INC. (MCLI)				DO NOT SCALE THE DRAWING	