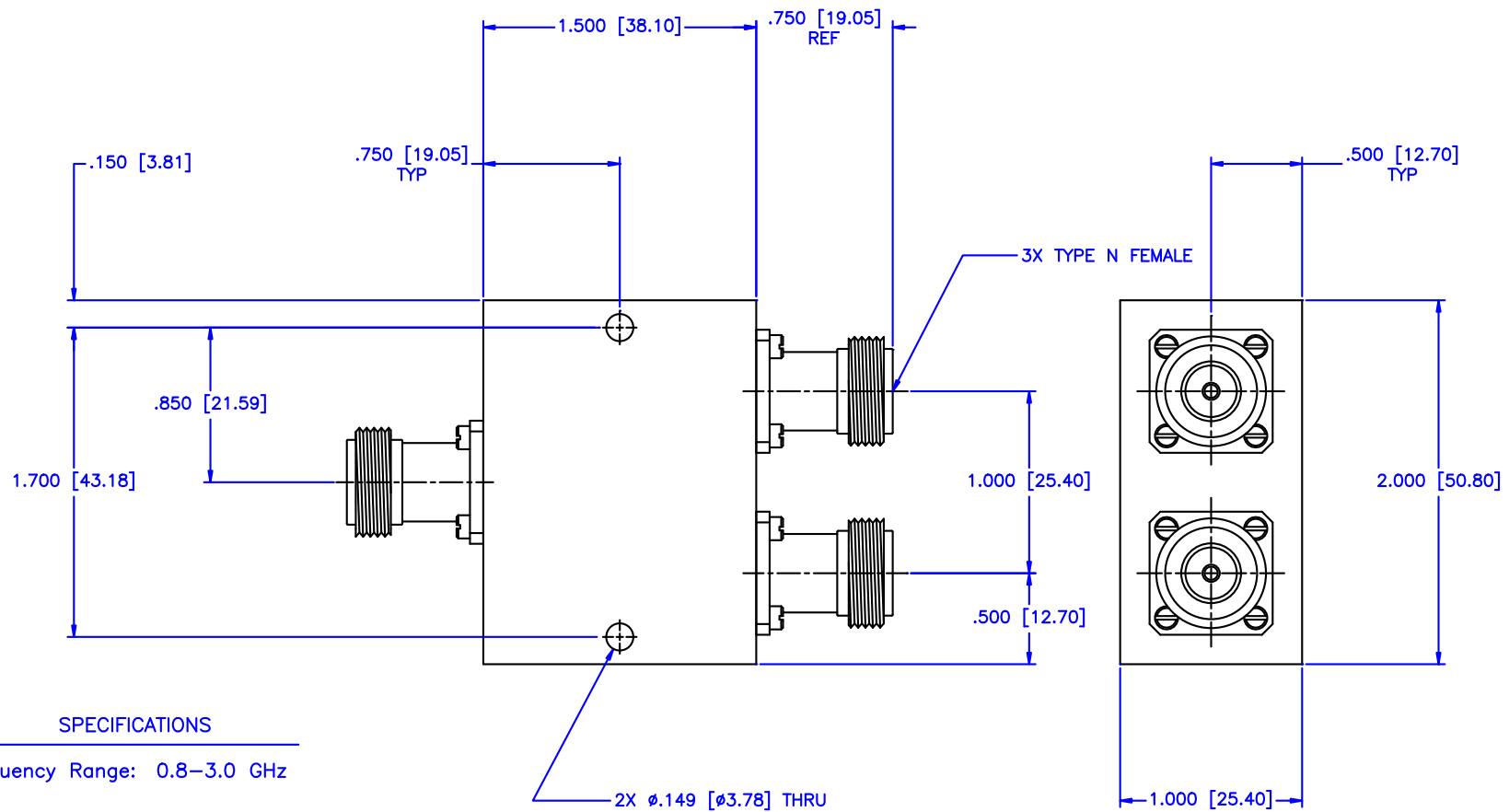


REVISIONS				
ZONE	REV	DESCRIPTION	Date	APPROVED



SPECIFICATIONS

Frequency Range: 0.8–3.0 GHz

Insertion Loss: 0.4dB Max.

Isolation: 20dB Min.

VSWR Input/Output: 1.40:1/1.35:1 Max.

Phase Balance: ±6 Deg. Max.

Amplitude Balance: ±0.2dB Max.

Power: 30 Watts (Load vswr@1.2)

MATERIAL:			MICROWAVE COMMUNICATIONS LABORATORIES INC. 7255 30TH AVE. N. SAINT PETERSBURG, FL 33710 TEL: (727) 344-6254 FAX: (727) 381-6116 http://WWW.MCLI.COM		SCALE:	N/A
			UNLESS OTHERWISE SPECIFIED: TOLERANCES IN (INCHES) OR [mm] (MILLIMETERS) FRACTIONS: ± 1/64 DECIMALS: ±.01 ±.005 ANGLE: ±1/2°		DRAWING TITLE:	2-WAY POWER DIVIDER
DRAWN:		DATE:	PART NO.		PS2-155/NF	
APPROVED:		DATE:	CAGE CODE:	SIZE:	REV:	DWG NO.
Paiboon Luekhamhan		09-24-2003	OD2L5	N/A	N/A	82292
T. Nguyen		09-24-2003	DO NOT SCALE THE DRAWING			