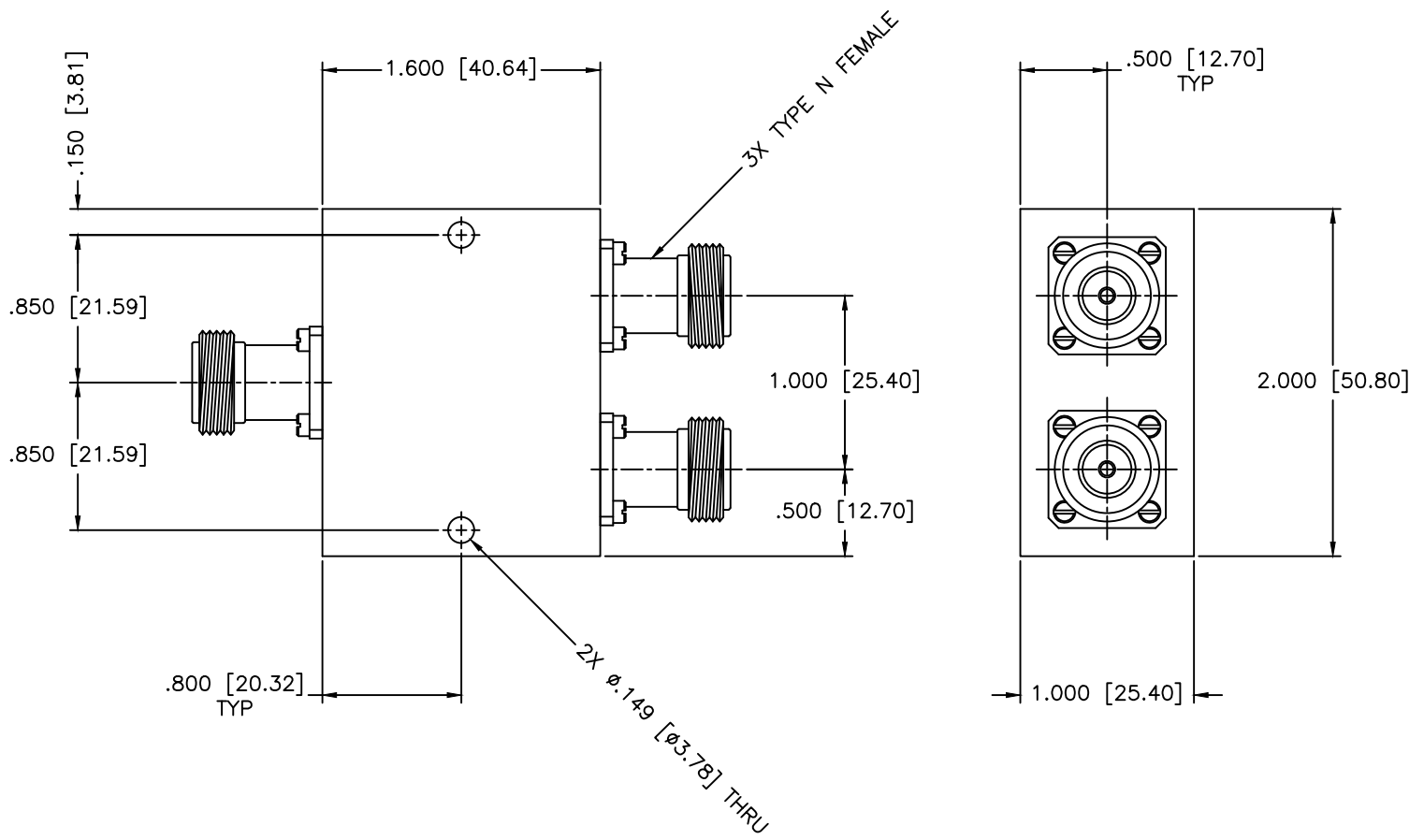


REVISIONS				
ZONE	REV	DESCRIPTION	DATE	APPROVED



**SPECIFICATIONS**

Frequency Range: 800–960 MHz  
 Insertion Loss: 0.5dB Max.  
 Isolation: 20dB Min.  
 VSWR In/Out: 1.35:1/1.30:1 Max.  
 Phase Balance: ±7 Deg. Max.  
 Amplitude Balance: ±0.4dB Max.  
 Power: 30W (Load vswr@1.2)

MATERIAL:			MICROWAVE COMMUNICATIONS LABORATORIES INC. 7255 30TH AVE. N. SAINT PETERSBURG, FL 33710 TEL: (727) 344-6254 FAX: (727) 381-6116 http://WWW.MCLI.COM		SCALE: N/A
UNLESS OTHERWISE SPECIFIED: TOLERANCES IN (INCHES) OR [mm] (MILLIMETERS) FRACTIONS: ± 1/64 DECIMALS: ±.01 ±.005 ANGLE: ±1/2°			DRAWING TITLE:  2-WAY POWER DIVIDER		SHEET: N/A
DRAWN: Paiboon Luekhamhan		DATE: 12-23-1997		PART NO.  PS2-131/NF	
APPROVED: T. Nguyen		DATE: 12-23-1997		CAGE CODE: OD2L5	SIZE: A REV: N/A DWG NO.: 80822 DO NOT SCALE THE DRAWING

PROPRIETARY NOTICE:  
 THE INFORMATION IN THIS DRAWING IS PROPRIETARY  
 AND SHALL NOT BE USED OR DISCLOSED WITHOUT WRITTEN  
 PERMISSION FROM MICROWAVE COMMUNICATIONS  
 LABORATORIES INC. (MCLI)

THIRD ANGLE PROJECTION