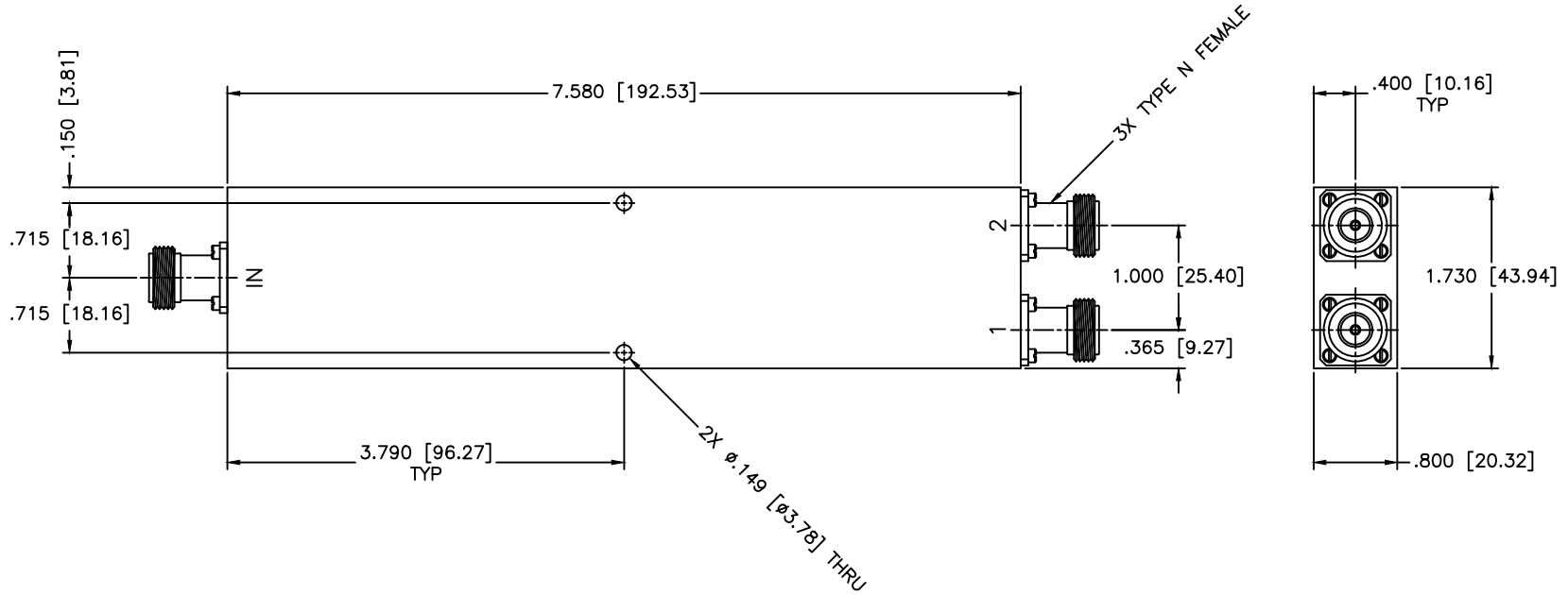


REVISIONS				
ZONE	REV	DESCRIPTION	DATE	APPROVED



SPECIFICATIONS

FREQUENCY RANGE: 0.5–8 GHz

ISOLATION: 18dB Min.

INSERTION LOSS: 1.8dB Max.

VSWR IN/OUT: 1.60:1/1.50:1 Max.

AMPLITUDE BALANCE: ±0.8 Max.

PHASE BALANCE: ±10 Deg. Max.

POWER: 20 Watts

MATERIAL:			MICROWAVE COMMUNICATIONS LABORATORIES INC. 7255 30TH AVE. N. SAINT PETERSBURG, FL 33710 TEL: (727) 344-6254 FAX: (727) 381-6116 http://WWW.MCLI.COM		SCALE: N/A
UNLESS OTHERWISE SPECIFIED: TOLERANCES IN (INCHES) OR [mm] (MILLIMETERS) FRACTIONS: ± 1/64 DECIMALS: ±.01 ±.005 ANGLE: ±1/2°			DRAWING TITLE: 2-WAY RF POWER DIVIDER		SHEET: N/A
DRAWN: Piaboon Luekhamhan		DATE: 04-13-2012		PART NO. PS2-130/NF	
APPROVED: T. Nguyen		DATE: 04-13-2012		CAGE CODE: OD2L5	SIZE: C REV: N/A DWG NO.: 86078
THIRD ANGLE PROJECTION		DO NOT SCALE THE DRAWING			