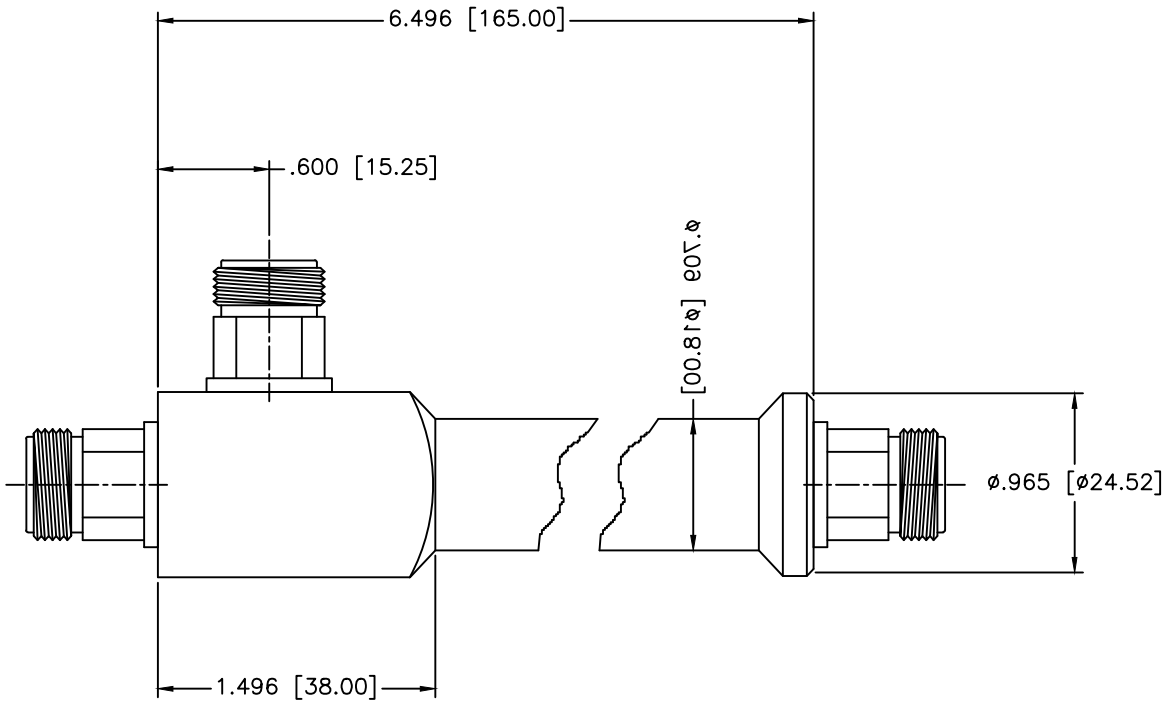
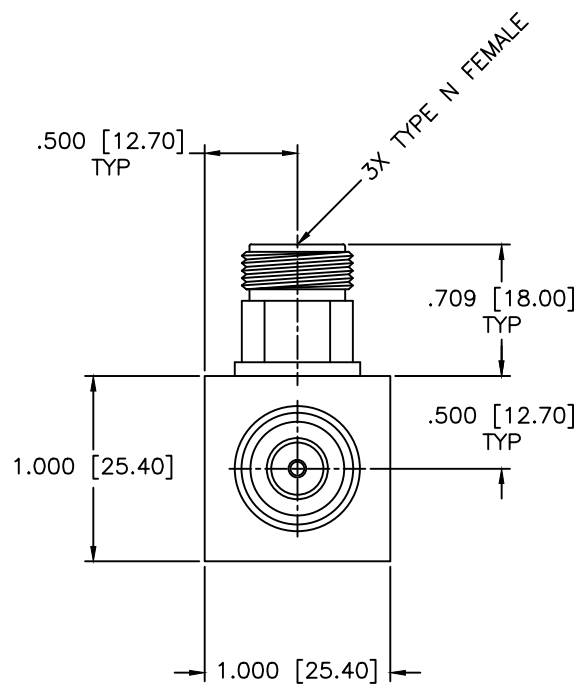


REVISIONS				
ZONE	REV	DESCRIPTION	DATE	APPROVED



SPECIFICATIONS

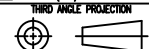
- Frequency Range: 0.8–2.5 GHz
- Insertion Loss: 2.6dB Max.
- Isolation: 14dB Min.
- VSWR Input/Output: 1.30:1/1.30:1 Max.
- Phase Balance: ± 10 Deg. Max.
- Amplitude Balance: ± 0.6 dB Max.
- Power: 200 Watts (Load vswr@1.2)

MATERIAL:			MICROWAVE COMMUNICATIONS LABORATORIES INC. 7255 30TH AVE. N. SAINT PETERSBURG, FL 33710 TEL: (727) 344-6254 FAX: (727) 381-6116 http://WWW.MCLI.COM		SCALE:	N/A	
					SHEET:	N/A	
UNLESS OTHERWISE SPECIFIED: TOLERANCES IN (INCHES) OR [mm] (MILLIMETERS) FRACTIONS: $\pm 1/64$ DECIMALS: $\pm 0.01 \pm 0.005$ ANGLE: $\pm 1/2^\circ$		DRAWING TITLE:				2-WAY POWER DIVIDER	
DRAWN: Paiboon Luekhamhan		DATE: 07-19-2006		PART NO. PS2-114-200/NF			
APPROVED: T. Nguyen		DATE: 07-19-2006		CAGE CODE:	SIZE:	REV:	DWG NO.
				OD2L5	A	N/A	82606
				DO NOT SCALE THE DRAWING			



UNLESS OTHERWISE SPECIFIED:
TOLERANCES
IN (INCHES) OR [mm] (MILLIMETERS)
FRACTIONS: $\pm 1/64$
DECIMALS: $\pm 0.01 \pm 0.005$
ANGLE: $\pm 1/2^\circ$

PROPRIETARY NOTICE:
THE INFORMATION IN THIS DRAWING IS PROPRIETARY
AND SHALL NOT BE USED OR DISCLOSED WITHOUT WRITTEN
PERMISSION FROM MICROWAVE COMMUNICATIONS
LABORATORIES INC. (MCLI)



DRAWING TITLE:
2-WAY POWER DIVIDER

PART NO.
PS2-114-200/NF

CAGE CODE: OD2L5
SIZE: A
REV: N/A
DWG NO. 82606

DO NOT SCALE THE DRAWING