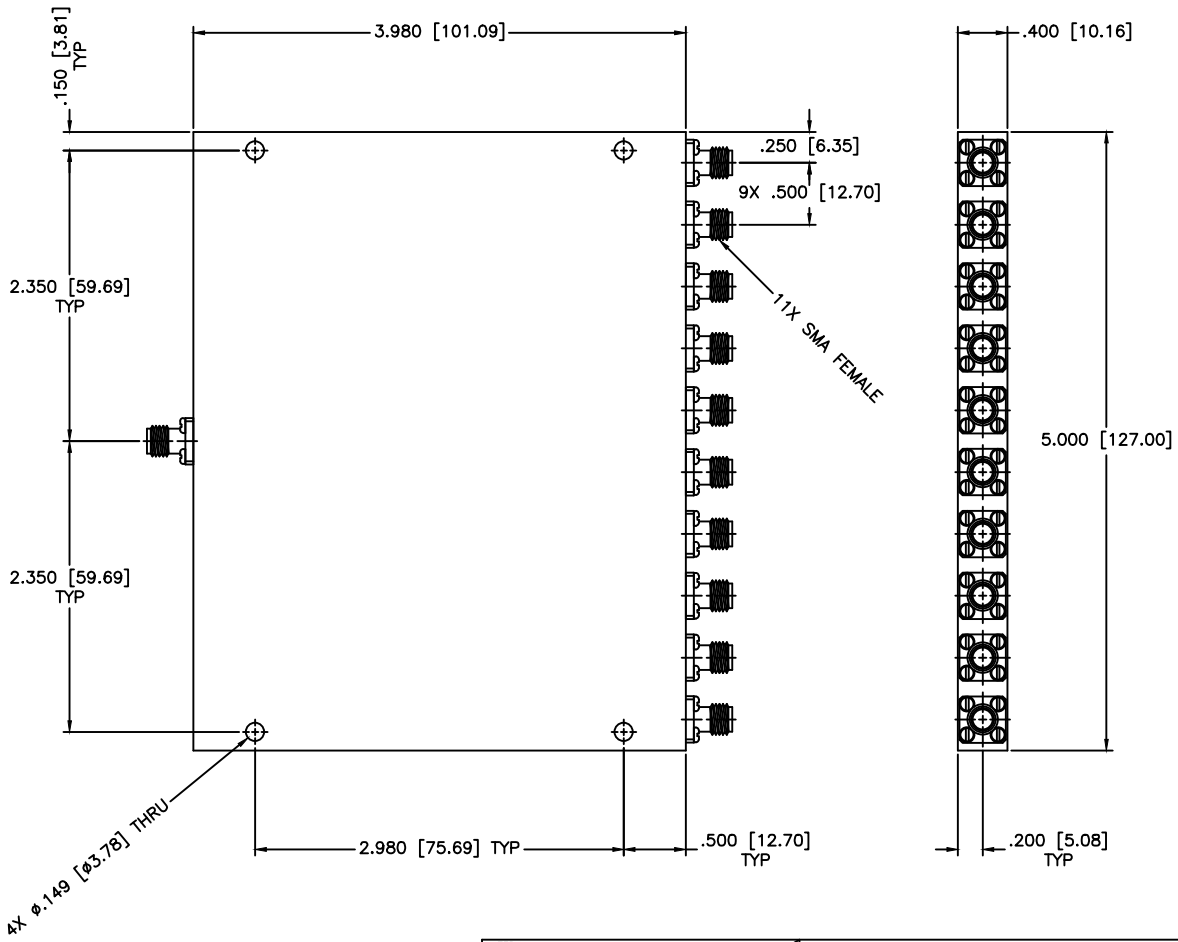


REVISIONS				
ZONE	REV	DESCRIPTION	DATE	APPROVED



SPECIFICATIONS

Frequency Range: 12–18 GHz
 Insertion Loss: 2.9dB Max.
 Isolation: 11dB Min.
 VSWR Input/Output: 1.90:1 Max.
 Amplitude Balance: \pm 1.4dB Max.
 Input Power: 10W (Load vswr @ 1.2)

MATERIAL:		 MCLI MICROWAVE COMMUNICATIONS LABORATORIES INC. 7255 30TH AVE. N. SAINT PETERSBURG, FL 33710 TEL: (727) 344-6254 FAX: (727) 381-6116 http://WWW.MCLI.COM	SCALE:	N/A
			SHEET:	N/A
		UNLESS OTHERWISE SPECIFIED: TOLERANCES IN (INCHES) OR [mm] (MILLIMETERS) FRACTIONS: \pm 1/64 DECIMALS: \pm 0.015 ANGLE: \pm 1/2°	DRAWING TITLE: 10-WAY POWER DIVIDER	
		PROPERTY NOTICE: THE INFORMATION IN THIS DRAWING IS PROPRIETARY AND SHALL NOT BE USED OR DISCLOSED WITHOUT WRITTEN PERMISSION FROM MICROWAVE COMMUNICATIONS LABORATORIES INC. (MCLI)	PART NO.: PS10-12	
DRAWN: Pai boon Luekhamhan	DATE: 03-13-2012	 THIRD ANGLE PROJECTION	CAGE CODE:	0D2L5
APPROVED: T. Nguyen	DATE: 03-13-2012		SIZE:	N/A
		REV:	N/A	DWG NO.: 86023
		DO NOT SCALE THE DRAWING		