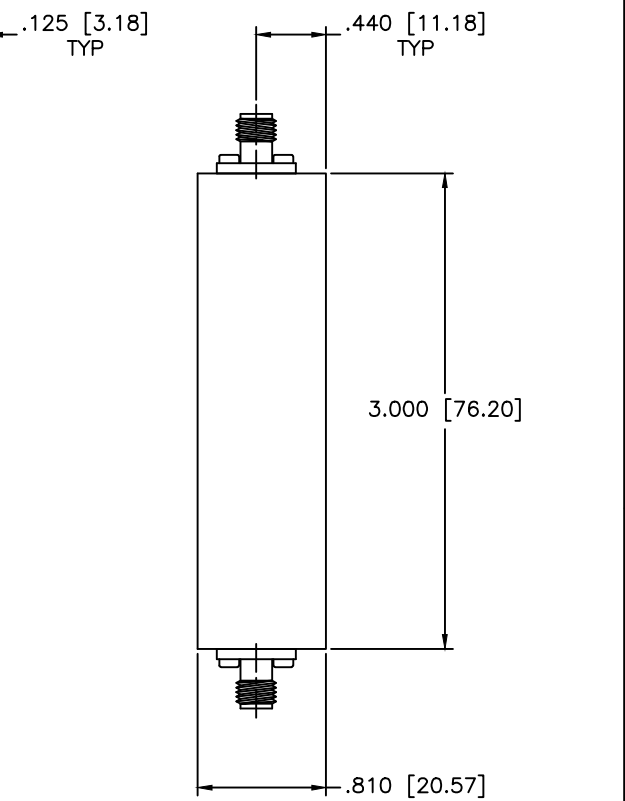
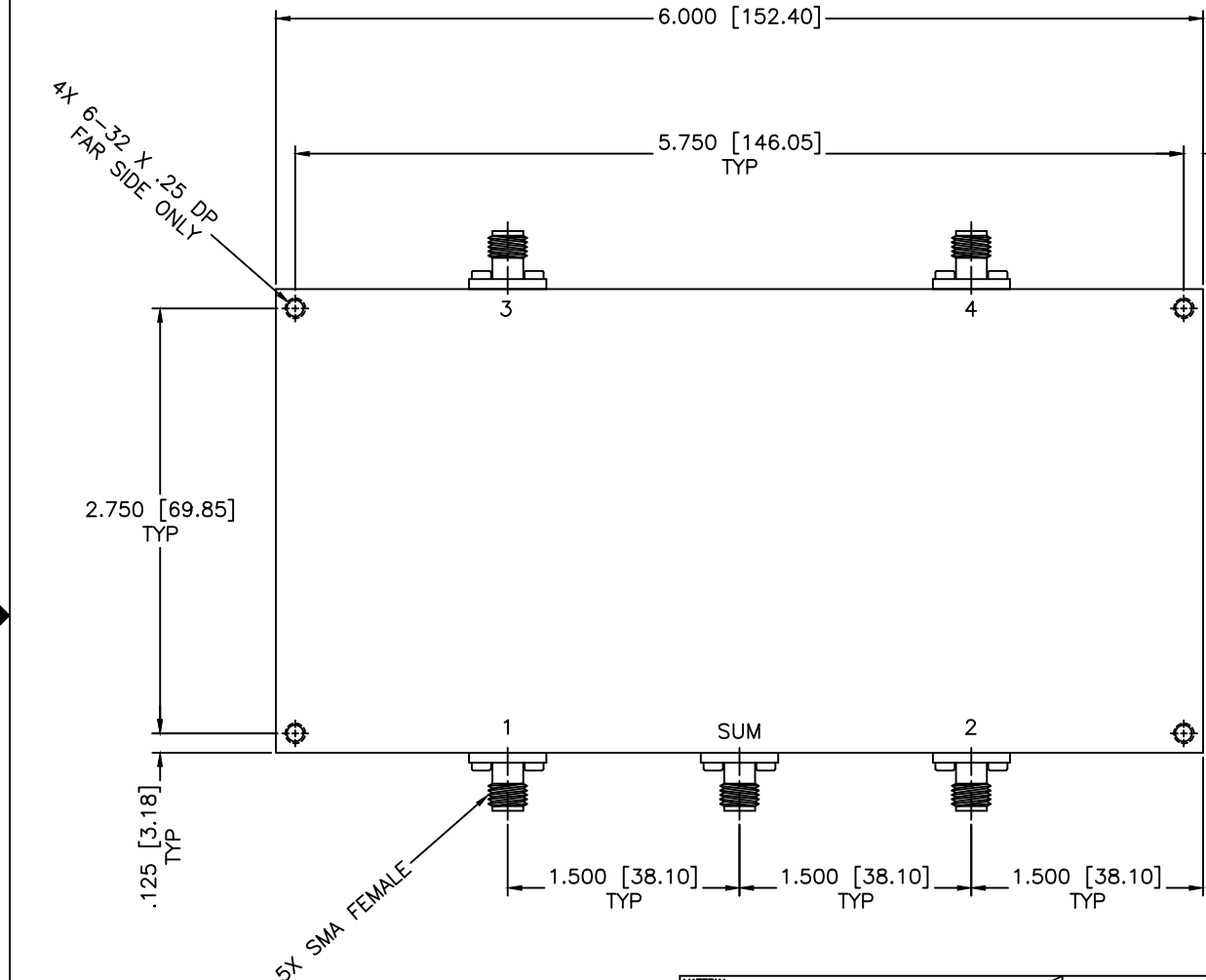


REVISIONS				
ZONE	REV	DESCRIPTION	Date	APPROVED



SPECIFICATIONS

Frequency Range: 3000–3600 MHz
 Insertion Loss: 0.5dB Max.
 Isolation: 15dB Min.
 VSWR: 1.40:1 Max.
 Power: 300 W CW
 Amplitude Balance: ±0.25dB Max.
 Phase Balance: ±5 Deg. Max.

MATERIAL:	
DRAWN: Paiboon Luexhamhan	DATE: 11-22-2011
APPROVED: T. Nguyen	DATE: 11-22-2011



MICROWAVE COMMUNICATIONS LABORATORIES INC.
 7255 30TH AVE. N. SAINT PETERSBURG, FL 33710
 TEL: (727) 344-6254 FAX: (727) 381-6116
 http://WWW.MCLI.COM

SCALE:	N/A
SHEET:	N/A

UNLESS OTHERWISE SPECIFIED:
 TOLERANCES
 IN (INCHES) OR [mm] (MILLIMETERS)
 FRACTIONS: ± 1/64
 DECIMALS: ± .01 ± .005
 ANGLE: ± 1/2°

DRAWING TITLE:
4-WAY POWER DIVIDER/COMBINER

PART NO.
PLH4-37

CONFORMING NOTES:
 THE INFORMATION IN THIS DRAWING IS PROPRIETARY
 AND SHALL NOT BE USED OR DISCLOSED WITHOUT WRITTEN
 PERMISSION FROM MICROWAVE COMMUNICATIONS
 LABORATORIES INC. (MCLI)
 THIRD ANGLE PROJECTION

CAGE CODE: OD2L5	SIZE: N/A	REV: N/A	DWG. NO. 85936
DO NOT SCALE THE DRAWING			