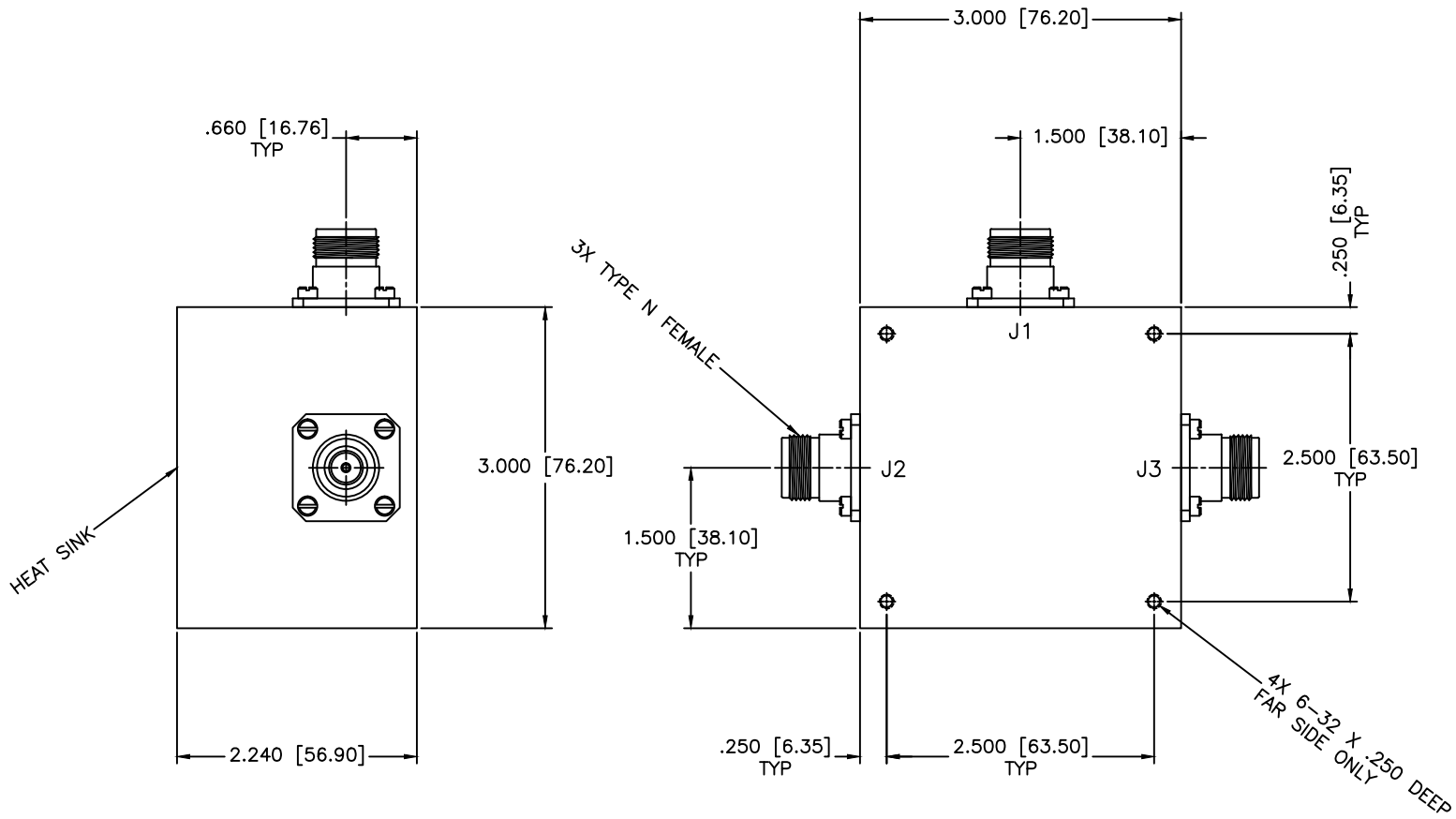


REVISIONS				
ZONE	REV	DESCRIPTION	DATE	APPROVED



SPECIFICATIONS

Frequency Range: 2-32 MHz
 Insertion Loss: 0.1dB Max.
 Isolation: 20dB Min.
 VSWR: 1.30:1 Max.
 Power: 1000 Watts CW
 Amplitude Balance: ± 0.1 dB Max.
 Phase Balance: ± 5 Deg. Max.

MATERIAL:	DRAWN: Paboon Luakhomhan	DATE: 08-07-2009		MICROWAVE COMMUNICATIONS LABORATORIES INC. 7250 30TH AVE. N. SAINT PETERSBURG, FL 33710 TEL: (727) 544-6254 FAX: (727) 381-6118 http://www.MCLI.COM		SCALE: N/A
				UNLESS OTHERWISE SPECIFIED: TOLERANCES IN (INCHES) OR (mm) (MILLIMETERS) FRACTIONS: $\pm 1/64$ DECIMALS: $\pm 0.01 \pm 0.005$ ANGLE: $\pm 1/2^\circ$	DRAWING TITLE: 2-WAY POWER DIVIDER/COMBINER	
APPROVED: T. Nguyen	DATE: 08-07-2009	THE INFORMATION ON THIS DRAWING IS PROPRIETARY AND SHALL NOT BE REPRODUCED OR TRANSMITTED IN ANY FORM OR BY ANY MEANS WITHOUT THE WRITTEN PERMISSION FROM MICROWAVE COMMUNICATIONS LABORATORIES INC. (MCLI)		PART NO. PLH2-8		SHEET: N/A
				CAGE CODE: OD2L5	SIZE: N/A REV: N/A DO NOT SCALE THE DRAWING	DWG NO. 84575