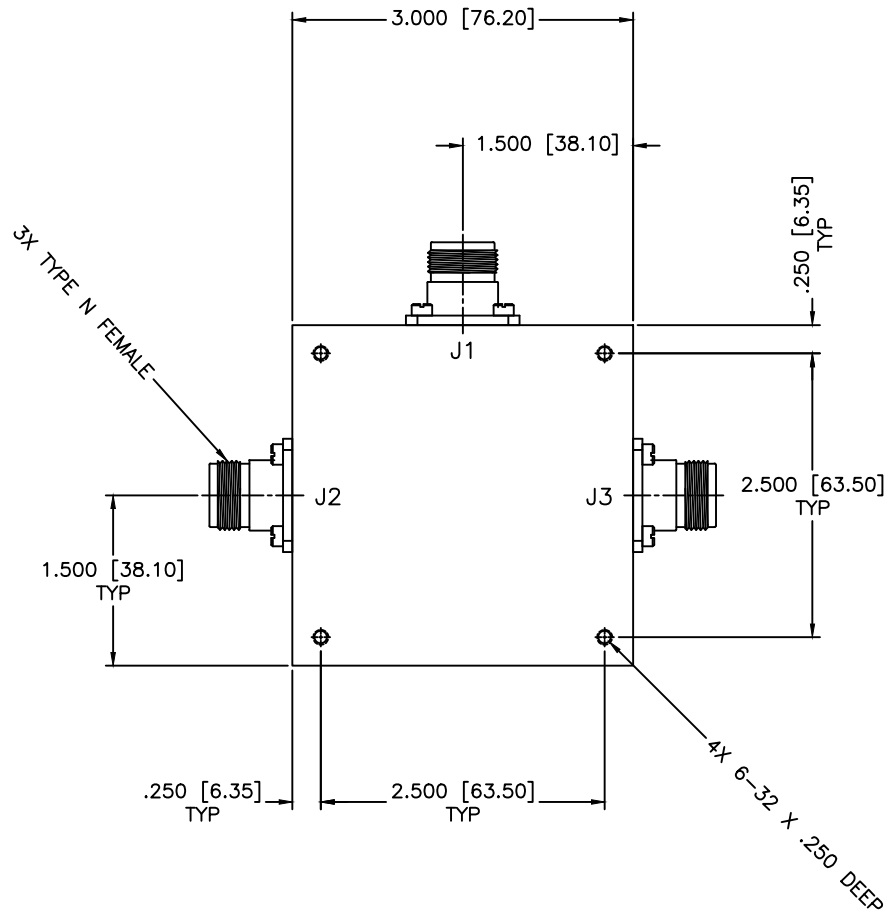
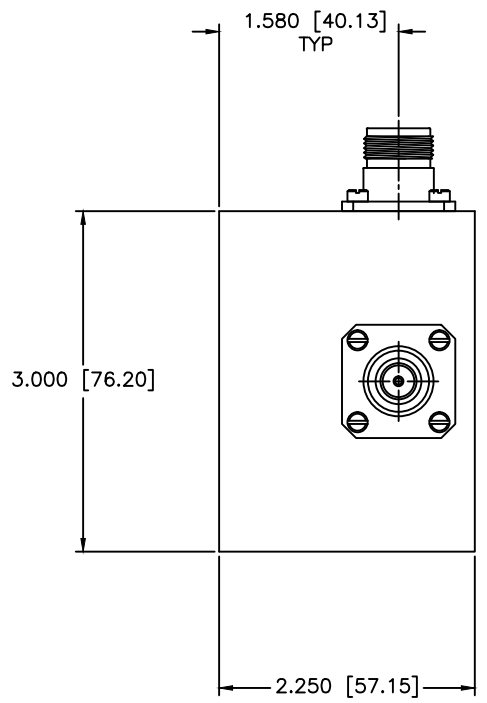


4 | 3 | 2 | 1

REVISIONS				
ZONE	REV	DESCRIPTION	DATE	APPROVED



**SPECIFICATIONS**

Frequency Range: 1–30 MHz  
 Insertion Loss: 0.3dB Max.  
 Isolation: 20dB Min.  
 VSWR: 1.30:1 Max.  
 Power: 200 W CW  
 Amplitude Balance:  $\pm 0.2$ dB Max.  
 Phase Balance:  $\pm 5$  Deg. Max.

MATERIAL:	DRAWING TITLE: <b>2-WAY POWER DIVIDER/COMBINER</b>	SCALE: N/A
		SHEET: N/A
DRAWN: Paiboon Luekhamhan	DATE: 01-31-2011	PART NO.: PLH2-37
		CAGE CODE: OD2L5
APPROVED: T. Nguyen	DATE: 01-31-2011	SIZE: N/A REV: N/A DO NOT SCALE THE DRAWING
MCL I MICROWAVE COMMUNICATIONS LABORATORIES INC. 7255 30TH AVE. N. SAINT PETERSBURG, FL 33710 TEL: (727) 544-6254 FAX: (727) 381-0110 http://www.mcll.com		DWG NO.: 85261

4 | 3 | 2 | 1