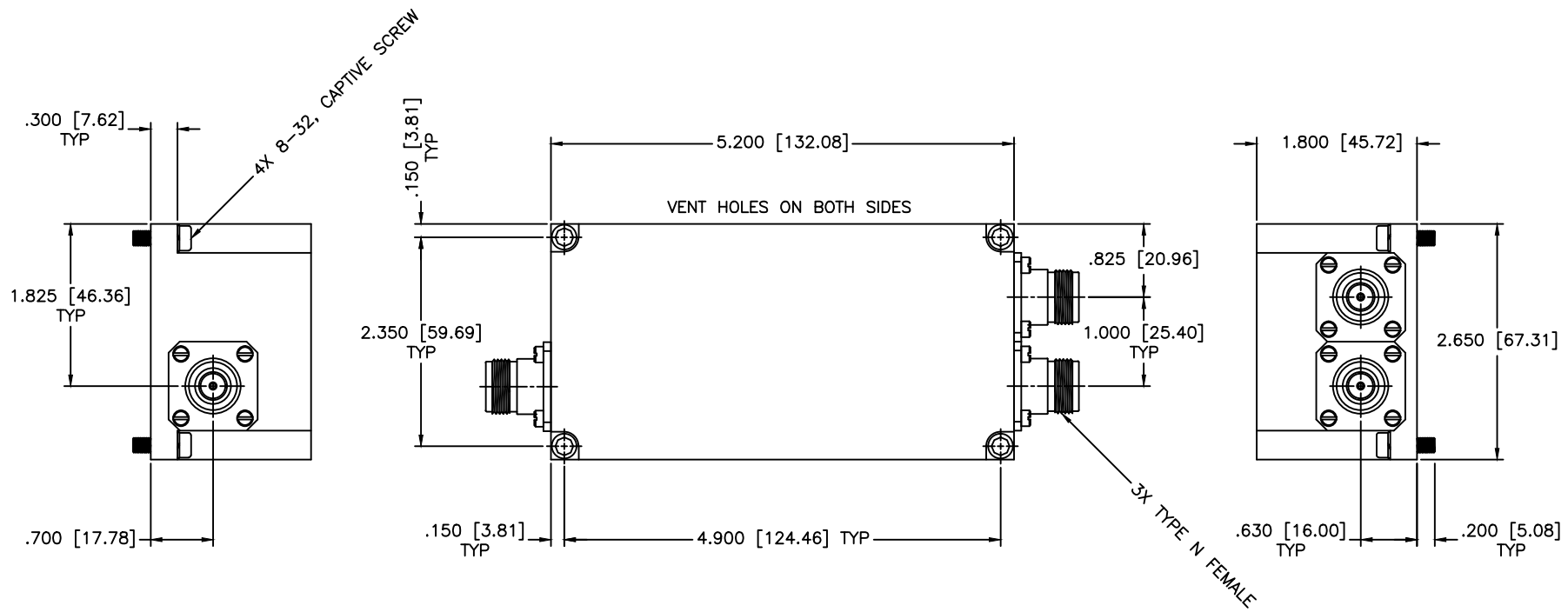


REVISIONS				
ZONE	REV	DESCRIPTION	DATE	APPROVED



SPECIFICATIONS

- Frequency Range: 20–1000 MHz
- Insertion Loss: 0.6dB Max.
- Isolation: 15dB Min.
- VSWR: 1.35:1 Max.
- Power: 500 Watts CW
- Amplitude Balance: ± 0.3 dB Max.
- Phase Balance: ± 5 Deg. Max.

MATERIAL:		MCLI MICROWAVE COMMUNICATIONS LABORATORIES INC. 7255 30TH AVE. N. SAINT PETERSBURG, FL 33710 TEL: (727) 544-6254 FAX: (727) 381-6118 http://www.mcli.com		SCALE: N/A
UNLESS OTHERWISE SPECIFIED: TOLERANCES IN (INCHES) OR (mm) (MILLIMETERS) FRACTIONS: $\pm 1/64$ DECIMALS: $\pm 0.01 \pm 0.005$ ANGLE: $\pm 1/2^\circ$		DRAWING TITLE: 2-WAY POWER DIVIDER/COMBINER		SHEET: N/A
DRAWN: Paiboon Luakhomhan	DATE: 02-01-2011	PART NO.: PLH2-3-500		
APPROVED: T. Nguyen	DATE: 02-01-2011	CAGE CODE: OD2L5	SIZE: N/A	REV: N/A
		DO NOT SCALE THE DRAWING		DWG NO.: 85296