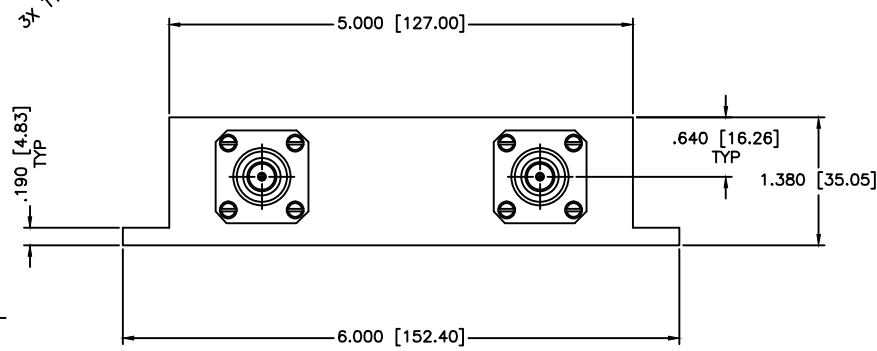
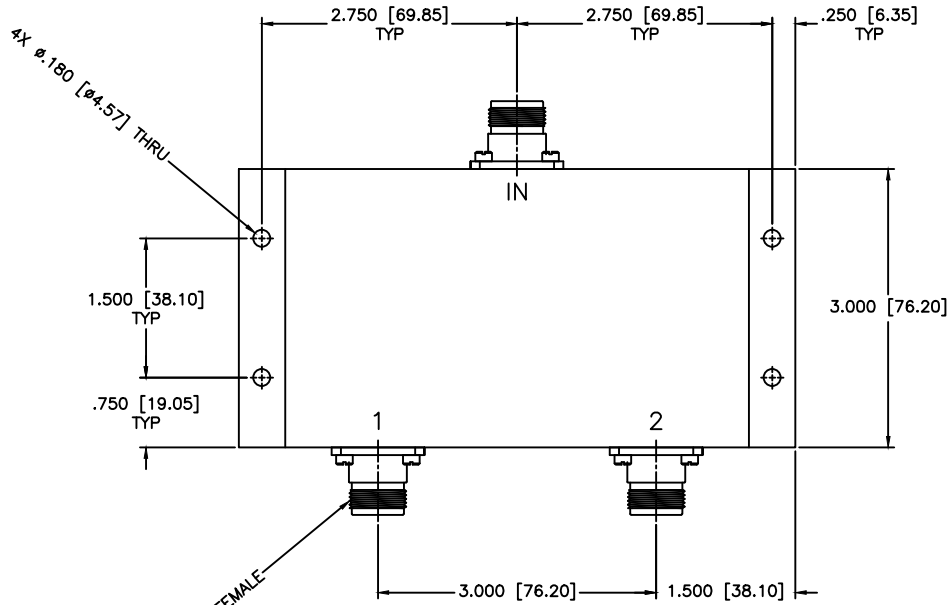


REVISIONS				
ZONE	REV	DESCRIPTION	DATE	APPROVED



**SPECIFICATIONS**

Frequency Range: 1850–1990 MHz  
 Insertion Loss: 0.3dB Max.  
 Isolation: 20dB Min.  
 VSWR: 1.30:1 Max.  
 Power: 250 Watts CW  
 Amplitude Balance: ±0.2dB Max.  
 Phase Balance: ±6 Deg. Max.

MATERIAL:		<b>MCLI</b> MICROWAVE COMMUNICATIONS LABORATORIES INC. 7256 30TH AVE. N. SAINT PETERSBURG, FL 33710 TEL: (727) 544-6254 FAX: (727) 381-0110 http://www.mcli.com		SCALE: N/A
UNLESS OTHERWISE SPECIFIED: TOLERANCES IN (INCHES) OR (mm) (MILLIMETERS) FRACTIONS: ± 1/64 DECIMALS: ± .01 ± .005 ANGLE: ± 1/2°				SHEET: N/A
DRAWING TITLE: <b>2-WAY POWER DIVIDER/COMBINER</b>		PART NO.: <b>PLH2-1</b>		
DRAWN: Paiboon Luukhamhan DATE: 02-02-2011 APPROVED: T. Nguyen DATE: 02-02-2011	THE INFORMATION ON THIS DRAWING IS PROPRIETARY AND SHALL NOT BE REPRODUCED OR TRANSMITTED IN ANY FORM OR BY ANY MEANS, ELECTRONIC OR MECHANICAL, INCLUDING PHOTOCOPYING, RECORDING, OR BY ANY INFORMATION STORAGE AND RETRIEVAL SYSTEM. © 2011 MCLI	CAGE CODE: OD2L5	SIZE: C REV: N/A DO NOT SCALE THE DRAWING	
		DWG NO.: 85311		

