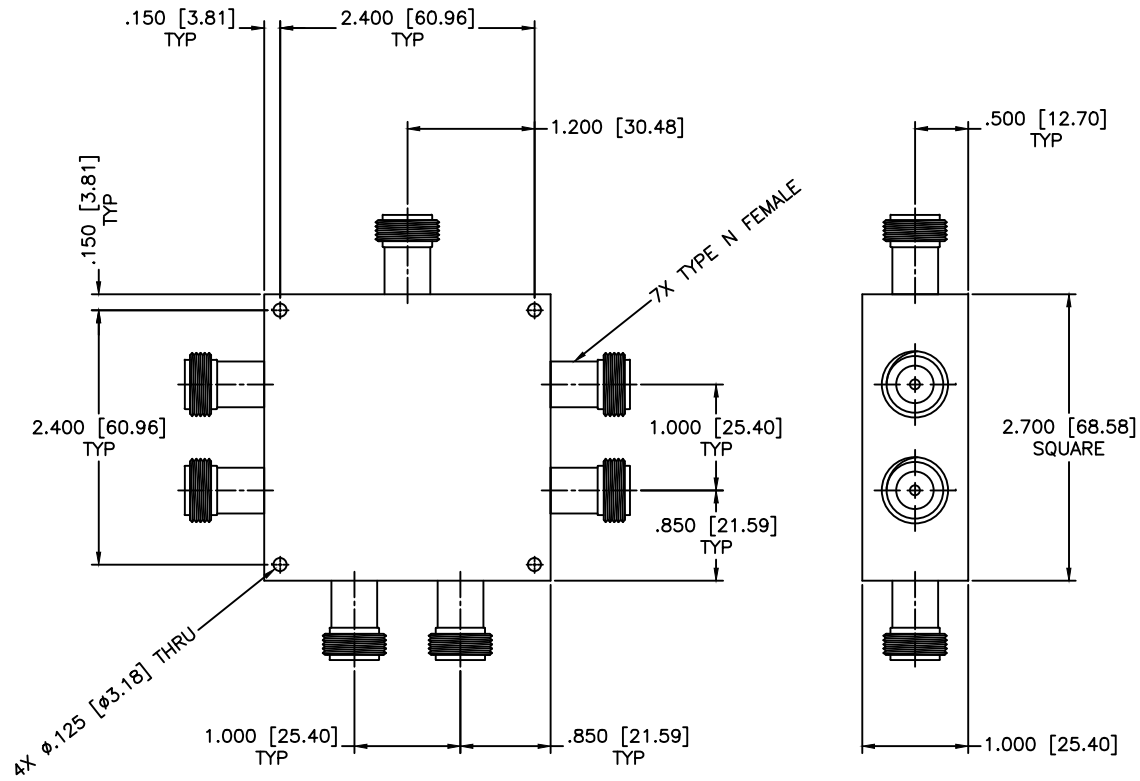


REVISIONS				
ZONE	REV	DESCRIPTION	DATE	APPROVED



SPECIFICATIONS

- Frequency Range: 10–500 MHz
- Isolation: 24dB Min.
- Insertion Loss: 1.2dB Max.
- Amplitude Balance: ± 0.3 dB Max.
- Phase Balance: ± 4 Deg. Max.
- VSWR: 1.30:1 Max.

MATERIAL:			MICROWAVE COMMUNICATIONS LABORATORIES INC. 7255 30TH AVE. N. SAINT PETERSBURG, FL 33710 TEL: (727) 344-6254 FAX: (727) 381-6116 http://WWW.MCLI.COM		SCALE: N/A
UNLESS OTHERWISE SPECIFIED: TOLERANCES IN (INCHES) OR [mm] (MILLIMETERS) FRACTIONS: $\pm 1/64$ DECIMALS: $\pm 0.01 \pm 0.005$ ANGLE: $\pm 1/2^\circ$			DRAWING TITLE: 6-WAY POWER DIVIDER		SHEET: N/A
DRAWN: Paiboon Luekhamhan	DATE: 10-30-1997	PART NO.: PL6-2/NF		CAGE CODE: OD2L5	
APPROVED: T. Nguyen	DATE: 10-30-1997	PROPRIETARY NOTICE: THE INFORMATION IN THIS DRAWING IS PROPRIETARY AND SHALL NOT BE USED OR DISCLOSED WITHOUT WRITTEN PERMISSION FROM MICROWAVE COMMUNICATIONS LABORATORIES INC. (MCLI)		SIZE: N/A	REV: N/A
		DWG NO.: 80207		DO NOT SCALE THE DRAWING	