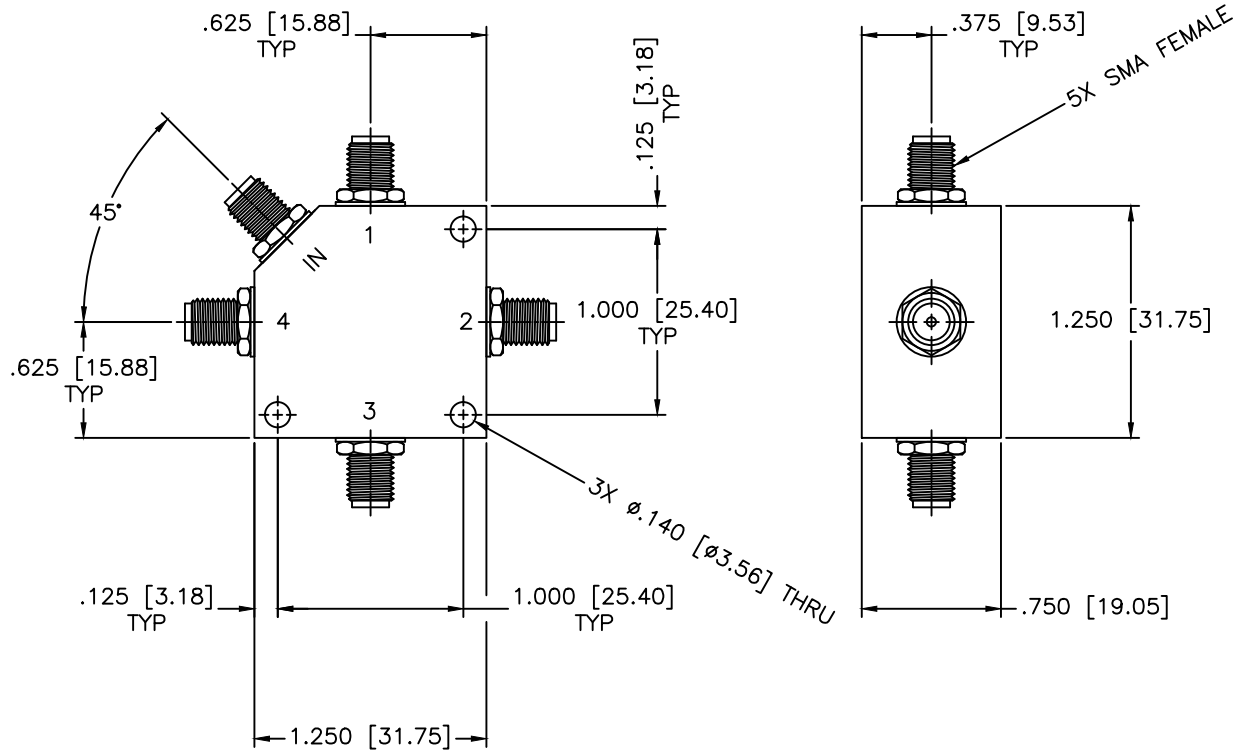


REVISIONS				
ZONE	REV	DESCRIPTION	DATE	APPROVED



**SPECIFICATIONS**

Frequency Range: 0.01–60 MHz  
 Isolation: 20dB Min.  
 Insertion Loss: 0.8dB Max.  
 Amplitude Balance:  $\pm 0.2$ dB Max.  
 Phase Balance:  $\pm 2$  Deg. Max.  
 VSWR: 1.30:1 Max.

MATERIAL:			MICROWAVE COMMUNICATIONS LABORATORIES INC. 7255 30TH AVE. N. SAINT PETERSBURG, FL 33710 TEL: (727) 344-6254 FAX: (727) 381-6116 http://WWW.MCLI.COM		SCALE:	N/A
			UNLESS OTHERWISE SPECIFIED: TOLERANCES IN (INCHES) OR [mm] (MILLIMETERS) FRACTIONS: $\pm 1/64$ DECIMALS: $\pm 0.01 \pm 0.05$ ANGLE: $\pm 1/2^\circ$		DRAWING TITLE:	4-WAY POWER DIVIDER
DRAWN:		PROPRIETARY NOTICE: THE INFORMATION IN THIS DRAWING IS PROPRIETARY AND SHALL NOT BE USED OR DISCLOSED WITHOUT WRITTEN PERMISSION FROM MICROWAVE COMMUNICATIONS LABORATORIES INC. (MCLI)		PART NO.	PL4-32	
DATE:		THIRD ANGLE PROJECTION 		CAGE CODE:	SIZE:	REV:
APPROVED:		DATE:		OD2L5	A	N/A
T. Nguyen		07-26-2018		DO NOT SCALE THE DRAWING		DWG NO.
						86770