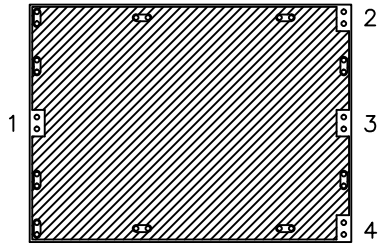
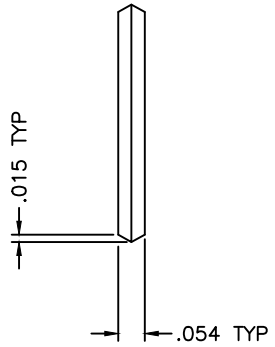


REVISIONS				
ZONE	REV	DESCRIPTION	DATE	APPROVED

TOP VIEW



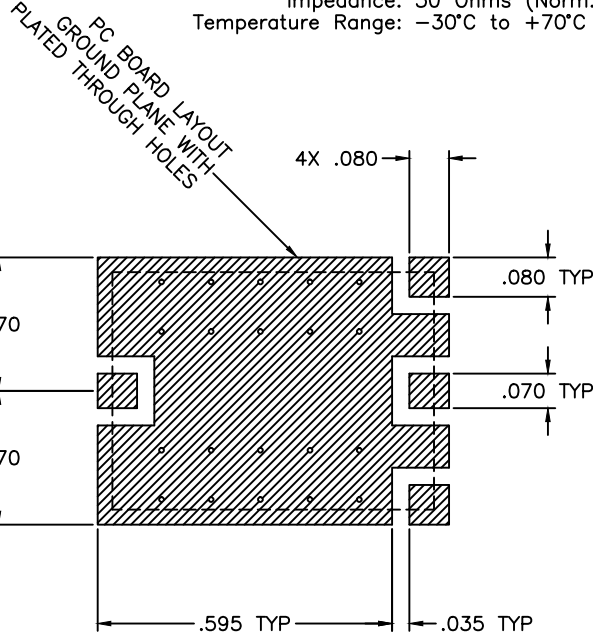
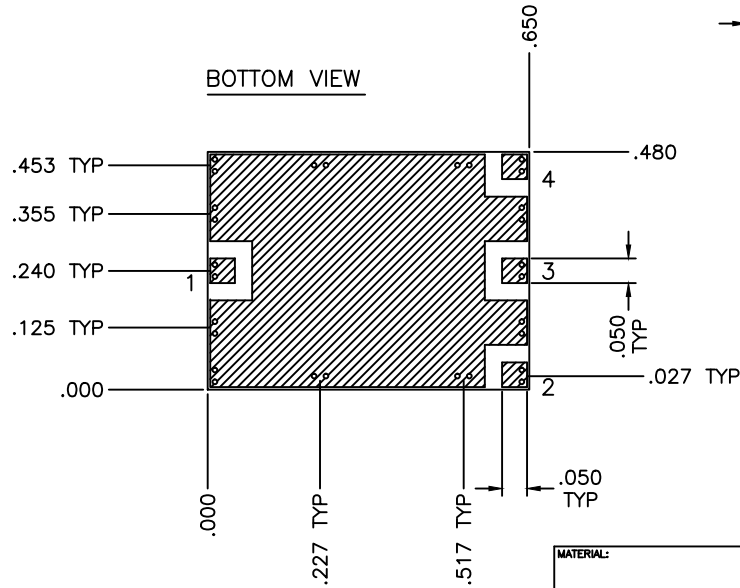
SIDE VIEW



SPECIFICATIONS

Frequency Range: 1700–2300 MHz
 Isolation: 22dB Typ, 16dB Min.
 Insertion Loss: 0.35dB Typ, 0.65dB Max.
 VSWR: 1.30:1 Typ, 1.50:1 Max.
 Phase Unbalance: 2.0° Typ, 3.0° Max.
 Amplitude Unbalance: ±0.15dB Typ, ±0.30dB Max.
 Input Power: 5W Max. (Mismatch of >1.2:1)
 Impedance: 50 Ohms (Norm.)
 Temperature Range: -30°C to +70°C

BOTTOM VIEW



Port Configuration		
Input	Output	Ground
1	2,3,4	All Other

MATERIAL:	
<small>UNLESS OTHERWISE SPECIFIED: TOLERANCES IN (INCHES) OR [mm] (MILLIMETERS) FRACTIONS: ± 1/64 DECIMALS: ±.01 ±.005 ANGLE: ±1/2°</small>	
<small>PROPRIETARY NOTICE: THE INFORMATION IN THIS DRAWING IS PROPRIETARY AND SHALL NOT BE USED OR DISCLOSED WITHOUT WRITTEN PERMISSION FROM MICROWAVE COMMUNICATIONS LABORATORIES INC. (MCLI)</small>	<small>THIRD ANGLE PROJECTION</small>
DRAWN: Paiboon Luekhamhan	DATE: 02-13-2017
APPROVED: T. Nguyen	DATE: 02-13-2017

<small>MICROWAVE COMMUNICATIONS LABORATORIES INC. 7255 30TH AVE. N. SAINT PETERSBURG, FL 33710 TEL: (727) 344-6254 FAX: (727) 381-6116 http://WWW.MCLI.COM</small>		SCALE: N/A
DRAWING TITLE: 3-WAY SURFACE MOUNT POWER DIVIDER		SHEET: N/A
PART NO. PL3-30-SM		
CAGE CODE: 0D2L5	SIZE: N/A	REV: N/A
DO NOT SCALE THE DRAWING		DWG NO. 86669