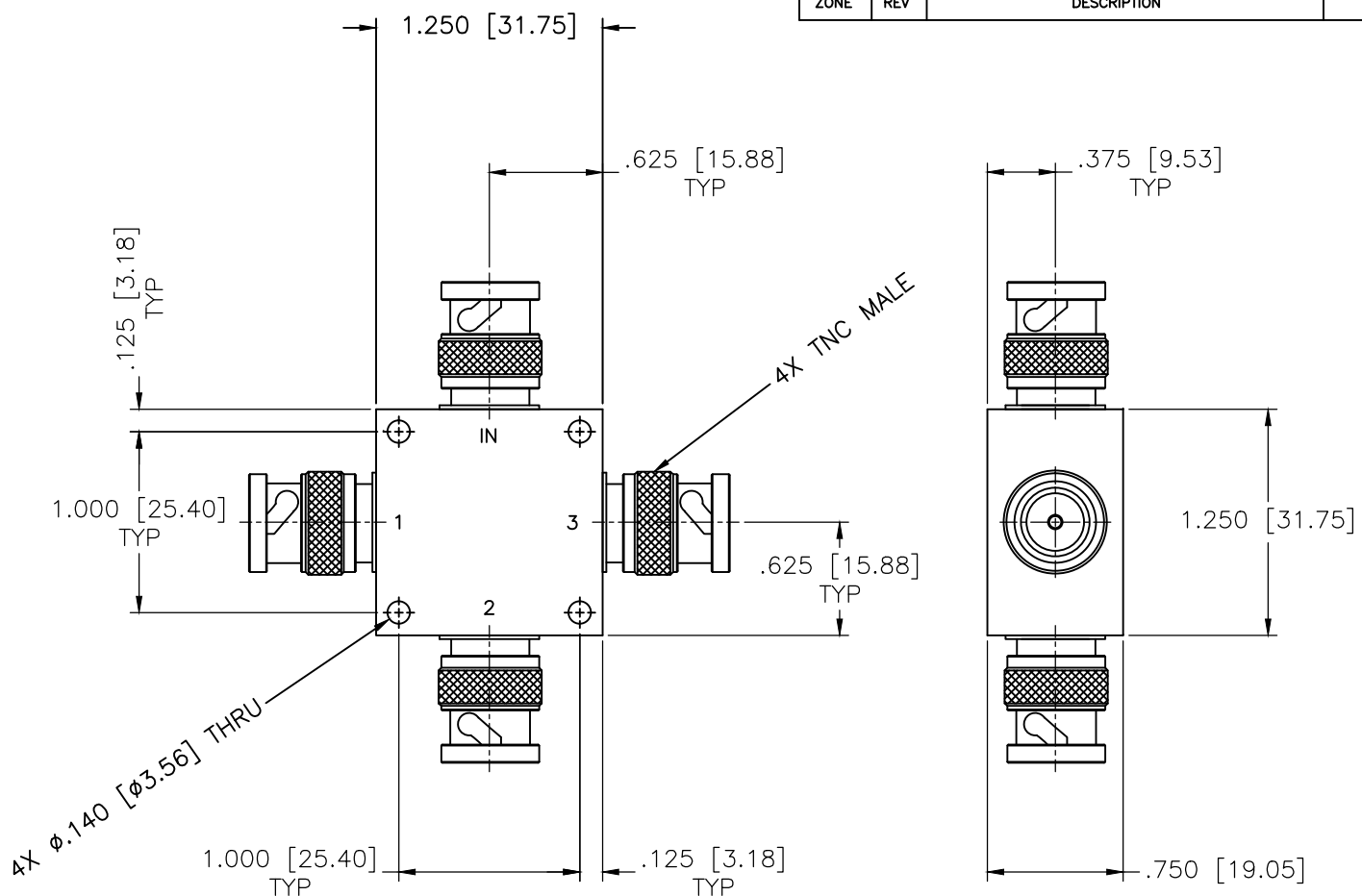


REVISIONS				
ZONE	REV	DESCRIPTION	Date	APPROVED



SPECIFICATIONS				
FREQUENCY RANGE	5-500 MHz			
BANDS	LB	MB	UB	
ISOLATION (dB) TYP/MIN	30/20	30/20	25/18	
INSERTION LOSS (dB) TYP/MAX	0.4/0.75	0.5/0.9	0.8/1.2	
PHASE BALANCE (Max.)	2 Deg.	3 Deg.	4 Deg.	
AMPLITUDE BALANCE (Max.)	0.2dB	0.3dB	0.4dB	

MATERIAL:	
DRAWN:	DATE:
Paiboon Luekhamhan	10-22-1997
APPROVED:	DATE:
T. Nguyen	10-22-1997



MICROWAVE COMMUNICATIONS LABORATORIES INC.  
7255 30TH AVE. N. SAINT PETERSBURG, FL 33710  
TEL: (727) 344-6254 FAX: (727) 381-6116  
http://WWW.MCLI.COM

SCALE:	N/A
SHEET:	N/A

UNLESS OTHERWISE SPECIFIED:  
TOLERANCES  
IN (INCHES) OR [mm] (MILLIMETERS)  
FRACTIONS: ± 1/64  
DECIMALS: ± .01 ± .005  
ANGLE: ± 1/2°

DRAWING TITLE:  
**3-WAY POWER DIVIDER**

PART NO.  
**PL3-29/TNM**

THIRD ANGLE PROJECTION

CAGE CODE:  
**OD2L5**

SIZE: **A** REV: **N/A**  
DO NOT SCALE THE DRAWING

DWG NO.  
**83962**