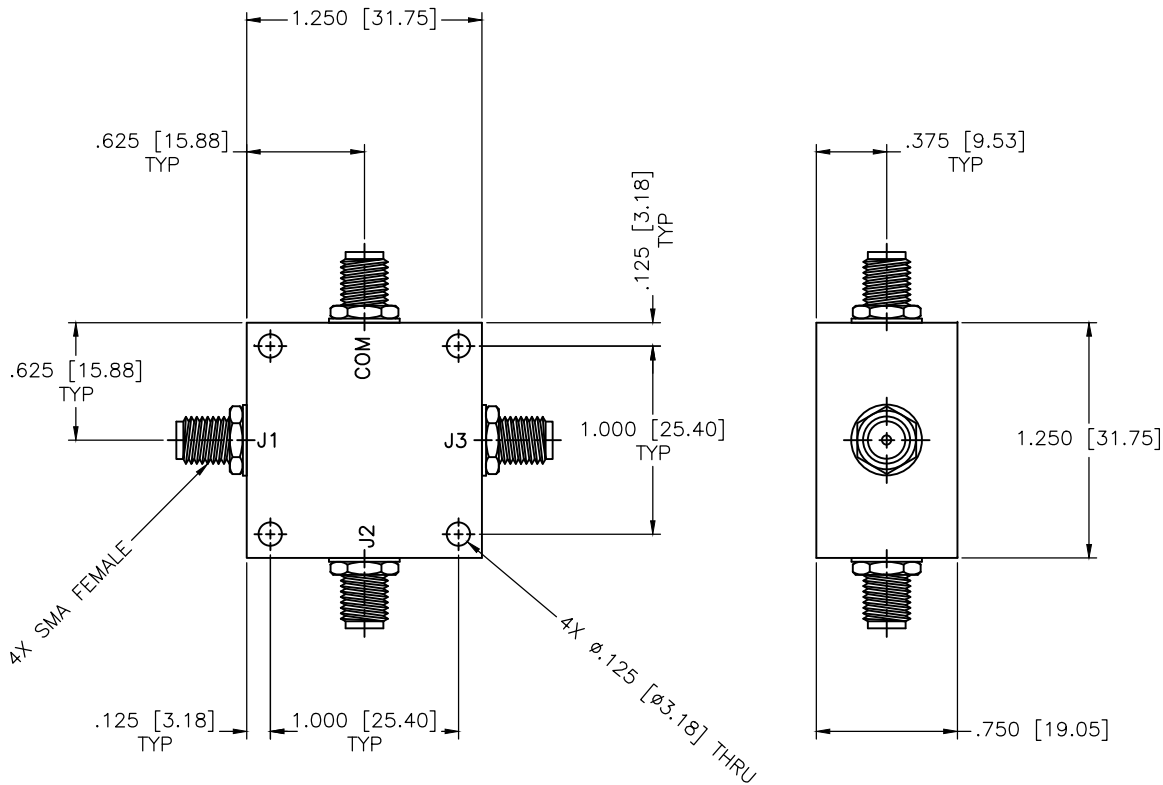


REVISIONS				
ZONE	REV	DESCRIPTION	Date	APPROVED



SPECIFICATIONS

Frequency Range: 380–400 MHz
 Insertion Loss: 1dB Max.
 Isolation: 25dB Max.
 VSWR: 1.30:1 Max.
 Amplitude Balance: ± 0.5 dB Max.
 Phase Balance: ± 5 Deg. Max.

MATERIAL:	
DRAWN: Paiboon Luekhamhan	DATE: 12-20-2010
APPROVED: T. Nguyen	DATE: 12-20-2010



MICROWAVE COMMUNICATIONS LABORATORIES INC.
 7255 30TH AVE. N. SAINT PETERSBURG, FL 33710
 TEL: (727) 344-6254 FAX: (727) 381-6116
 http://WWW.MCLI.COM

SCALE:	N/A
SHEET:	N/A

UNLESS OTHERWISE SPECIFIED:
 TOLERANCES
 IN (INCHES) OR [mm] (MILLIMETERS)
 FRACTIONS: $\pm 1/64$
 DECIMALS: $\pm 0.01 \pm 0.005$
 ANGLE: $\pm 1/2^\circ$

DRAWING TITLE:
3-WAY POWER DIVIDER

PART NO.
PL3-19

PROPRIETARY NOTICE:
 THE INFORMATION IN THIS DRAWING IS PROPRIETARY
 AND SHALL NOT BE USED OR DISCLOSED WITHOUT WRITTEN
 PERMISSION FROM MICROWAVE COMMUNICATIONS
 LABORATORIES INC. (MCLI)
 THIRD ANGLE PROJECTION

CAGE CODE:	SIZE:	REV:	DWG. NO.
OD2L5	A	N/A	85154
DO NOT SCALE THE DRAWING			