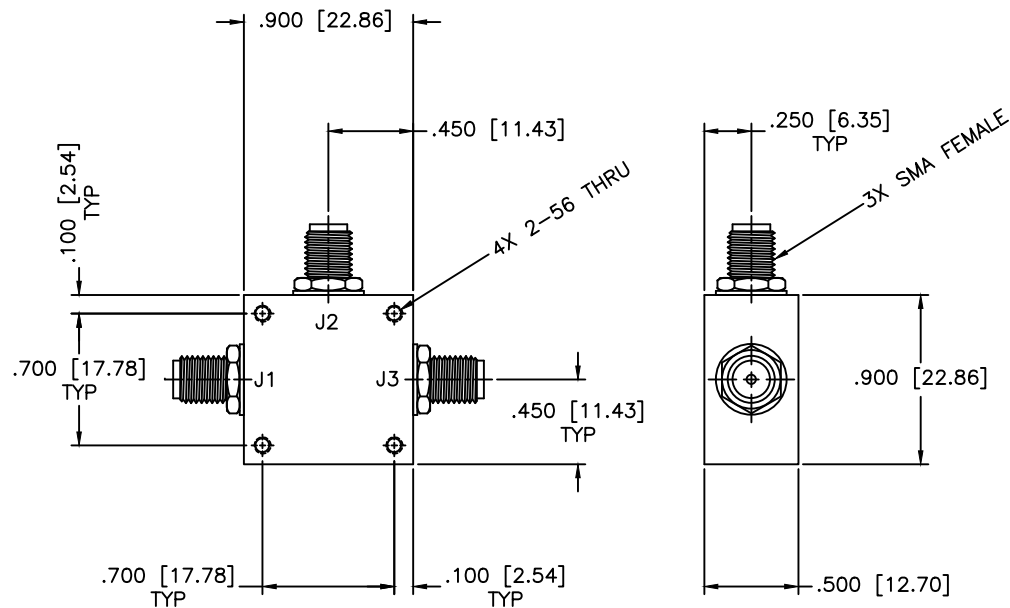


REVISIONS				
ZONE	REV	DESCRIPTION	Date	APPROVED



SPECIFICATIONS

FREQUENCY RANGE: 0.5–100 MHz
 INSERTION LOSS: 0.5dB Max.
 VSWR: 1.30:1 Max.
 ISOLATION: 30dB Min.
 PHASE BALANCE: ± 2 Deg. Max.
 AMPLITUDE BALANCE: ± 0.2 dB Max.
 IMPEDANCE: 50 Ohms
 OPERATING TEMPERATURE: -30°C to $+85^{\circ}\text{C}$

MATERIAL:	
DRAWN: Paiboon Luekhamhan	DATE: 12-22-1997
APPROVED: T. Nguyen	DATE: 12-22-1997

	MICROWAVE COMMUNICATIONS LABORATORIES INC. 7255 30TH AVE. N. SAINT PETERSBURG, FL 33710 TEL: (727) 344-6254 FAX: (727) 381-6116 http://WWW.MCLI.COM		SCALE: N/A
	UNLESS OTHERWISE SPECIFIED: TOLERANCES IN (INCHES) OR [mm] (MILLIMETERS) FRACTIONS: $\pm 1/64$ DECIMALS: $\pm 0.01 \pm 0.005$ ANGLE: $\pm 1/2^{\circ}$		SHEET: N/A
DRAWING TITLE: 2-WAY POWER DIVIDER		PART NO. PL2-2/S	
PROPRIETARY NOTICE: THE INFORMATION IN THIS DRAWING IS PROPRIETARY AND SHALL NOT BE USED OR DISCLOSED WITHOUT WRITTEN PERMISSION FROM MICROWAVE COMMUNICATIONS LABORATORIES INC. (MCLI)		CAGE CODE: OD2L5	SIZE: A REV: N/A DWG. NO.: 83092
		DO NOT SCALE THE DRAWING	