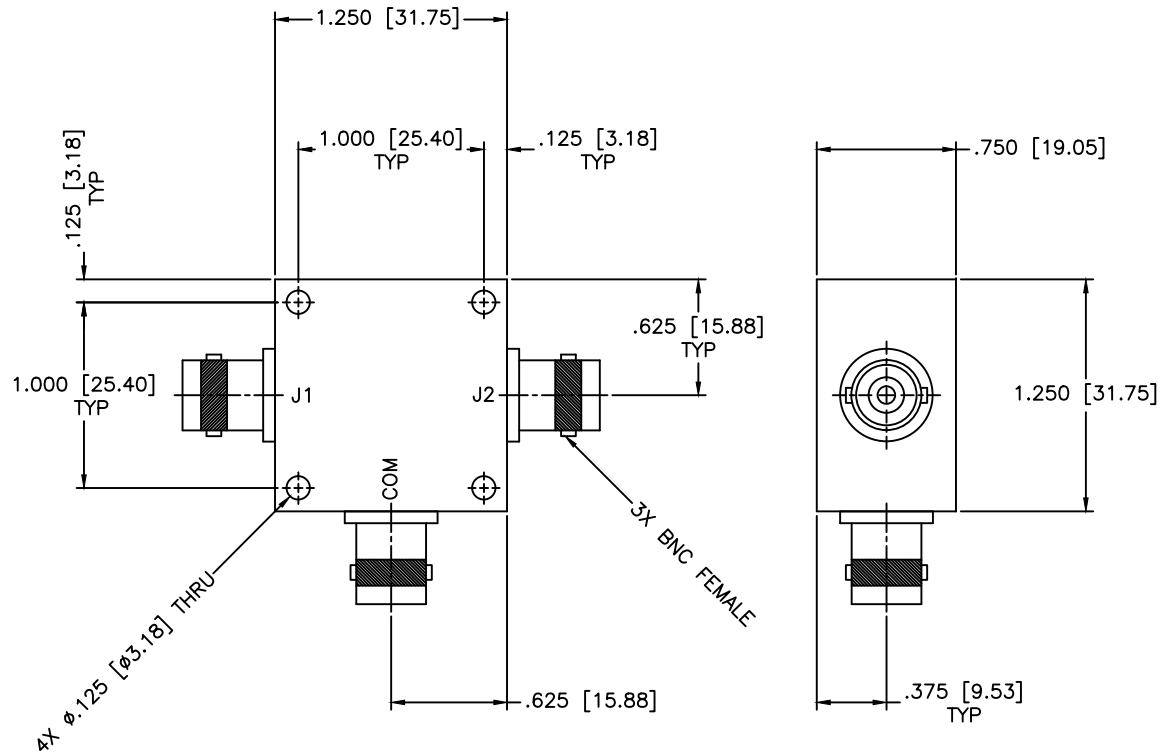


REVISIONS				
ZONE	REV	DESCRIPTION	DATE	APPROVED



SPECIFICATIONS

Frequency Range: 0.5–100 MHz
 Isolation: 28dB Min.
 VSWR: 1.30:1 Max.
 Insertion Loss: 0.5dB Max.
 Amplitude Balance: ±0.2dB Max.
 Phase Balance: ±1 Deg. Max.

MATERIAL:			MICROWAVE COMMUNICATIONS LABORATORIES INC. 7255 30TH AVE. N. SAINT PETERSBURG, FL 33710 TEL: (727) 344-6254 FAX: (727) 381-6116 http://WWW.MCLI.COM		SCALE:	N/A	
			UNLESS OTHERWISE SPECIFIED: TOLERANCES IN (INCHES) OR [mm] (MILLIMETERS) FRACTIONS: ± 1/64 DECIMALS: ±.01 ±.005 ANGLE: ±1/2°	DRAWING TITLE:		SHEET:	N/A
DRAWN:		DATE:		PART NO.			2-WAY POWER DIVIDER PL2-2/BF
Paiboon Luekhamhan 05-13-1998		T. Nguyen 05-13-1998		PROPRIETARY NOTICE: THE INFORMATION IN THIS DRAWING IS PROPRIETARY AND SHALL NOT BE USED OR DISCLOSED WITHOUT WRITTEN PERMISSION FROM MICROWAVE COMMUNICATIONS LABORATORIES INC. (MCLI)		CAGE CODE: OD2L5	
APPROVED:		DATE:		SIZE:	REV:	DWG NO.	
T. Nguyen 05-13-1998		THIRD ANGLE PROJECTION 		A	N/A	81077	
DO NOT SCALE THE DRAWING							