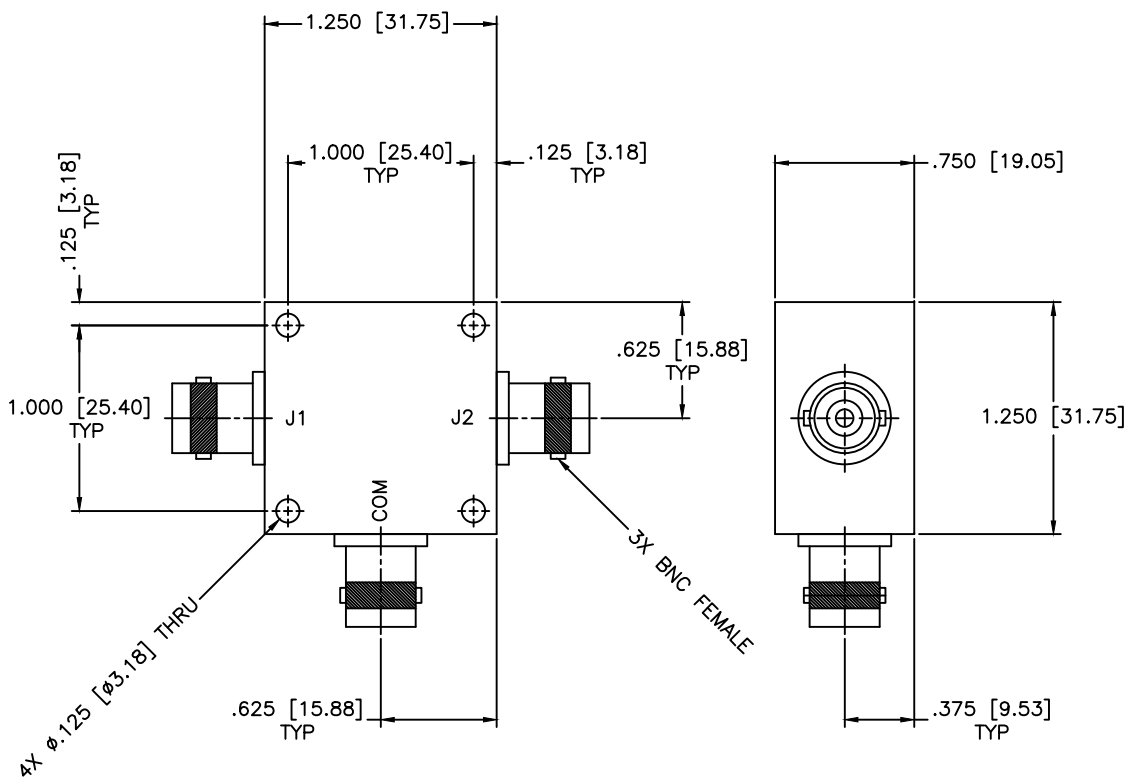


REVISIONS				
ZONE	REV	DESCRIPTION	DATE	APPROVED



SPECIFICATIONS

Frequency Range: 0.3–60 MHz
 Isolation: 35dB Min.
 VSWR: 1.30:1 Max.
 Insertion Loss: 0.5dB Max.
 Amplitude Balance: ±0.2dB Max.
 Phase Balance: ±1 Deg. Max.

MATERIAL:			MICROWAVE COMMUNICATIONS LABORATORIES INC. 7255 30TH AVE. N. SAINT PETERSBURG, FL 33710 TEL: (727) 344-6254 FAX: (727) 381-6116 http://WWW.MCLI.COM		SCALE:	N/A	
			UNLESS OTHERWISE SPECIFIED: TOLERANCES IN (INCHES) OR [mm] (MILLIMETERS) FRACTIONS: ± 1/64 DECIMALS: ±0.01 ±0.005 ANGLE: ±1/2°	DRAWING TITLE:		SHEET:	N/A
DRAWN:		DATE:		PART NO.			2-WAY POWER DIVIDER PL2-1-75/BF
Paiboon Luekhamhan 05-13-1998		PROPRIETARY NOTICE: THE INFORMATION IN THIS DRAWING IS PROPRIETARY AND SHALL NOT BE USED OR DISCLOSED WITHOUT WRITTEN PERMISSION FROM MICROWAVE COMMUNICATIONS LABORATORIES INC. (MCLI)		CAGE CODE:	SIZE:	REV:	
APPROVED:		DATE:		OD2L5	A	N/A	DWG NO.
T. Nguyen 05-13-1998		THIRD ANGLE PROJECTION 		DO NOT SCALE THE DRAWING		81207	