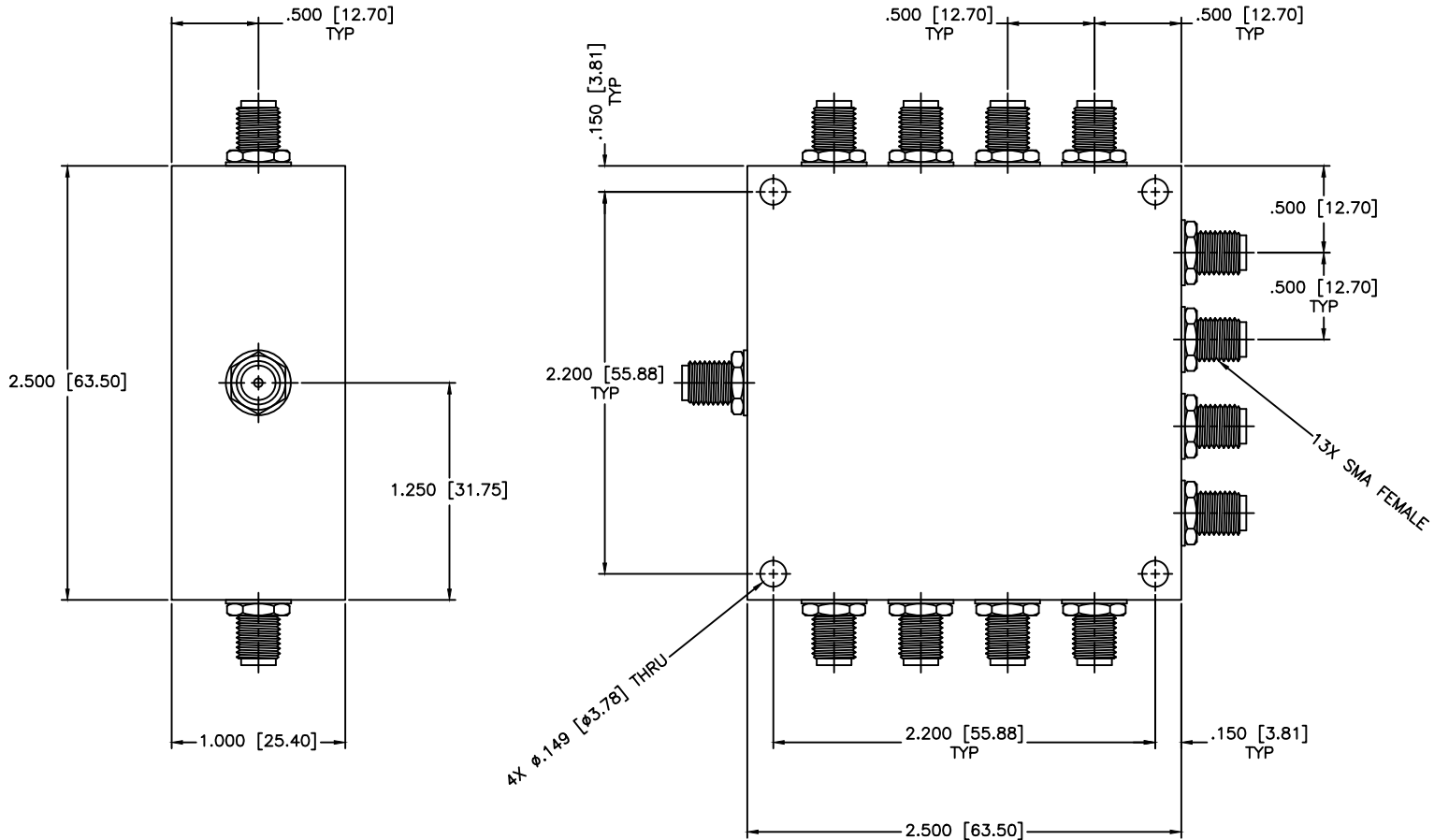


REVISIONS				
ZONE	REV	DESCRIPTION	DATE	APPROVED



**SPECIFICATIONS**

Frequency Range: 100–1000 MHz  
 Insertion Loss: 2.4dB Max.  
 Isolation: 25dB Min.  
 Amplitude Balance: ±0.4dB Max.  
 VSWR: 1.40:1 Max.  
 Phase Balance: ±8 Deg. Max.

MATERIAL:	
DRAWN: Paiboon Luekhmahan	DATE: 11-06-1997
APPROVED: T. Nguyen	DATE: 11-06-1997

<b>MCLI</b> UNLESS OTHERWISE SPECIFIED: TOLERANCES IN (INCHES) OR [mm] (MILLIMETERS) FRACTIONS: ± 1/64 DECIMALS: ±.01 ±.005 ANGLE: ±1/2°	MICROWAVE COMMUNICATIONS LABORATORIES INC. 7255 30TH AVE. N. SAINT PETERSBURG, FL 33710 TEL: (727) 344-6254 FAX: (727) 381-6116 http://WWW.MCLI.COM		SCALE: N/A
	DRAWING TITLE: <b>12-WAY POWER DIVIDER</b>		SHEET: N/A
PART NO. <b>PL12-3</b>		CAGE CODE: OD2L5	SIZE: A
PROPRIETARY NOTICE: THE INFORMATION IN THIS DRAWING IS PROPRIETARY AND SHALL NOT BE USED OR DISCLOSED WITHOUT WRITTEN PERMISSION FROM MICROWAVE COMMUNICATIONS LABORATORIES INC. (MCLI)		REV: N/A	DWG NO. 80308
THIRD ANGLE PROJECTION		DO NOT SCALE THE DRAWING	