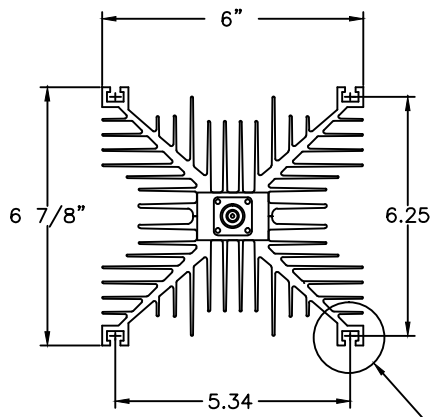


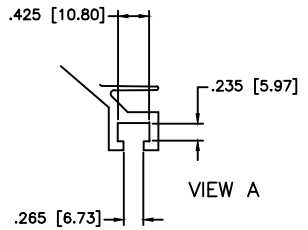
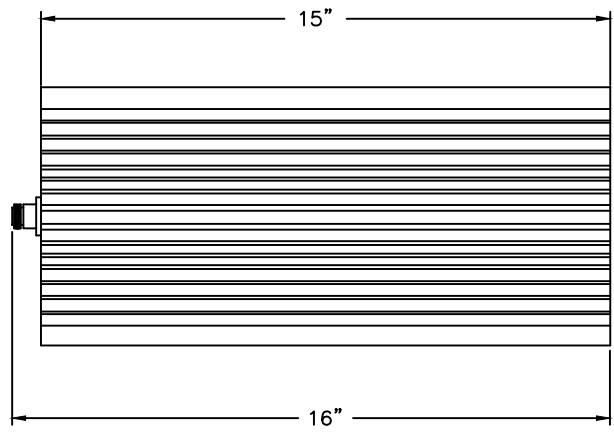
**SPECIFICATIONS**

IMPEDANCE: 50 OHMS  
 FREQUENCY RANGE: DC-2.4 GHz  
 VSWR (MAX): 1.25:1-DC TO 1 GHz  
 1.20:1-1 TO 2.4 GHz  
 PEAK POWER: 2kW MAX.

REVISIONS					
ZONE	REV	DESCRIPTION	Date	APPROVED	ECN#



VIEW A



VIEW A

**MATERIALS**

HOUSING ALUMINUM, BLACK ANODIZE  
 CONNECTOR TYPE "N" FEMALE CONFORMS TO MIL-C-39012  
 HEAT SPREADER COPPER  
 SUBSTRATE BERYLLIUM OXIDE  
 RESISTIVE ELEMENT THICK FILM  
 COOLING CONVECTION AIR FAN COOLED

MATERIAL:		MICROWAVE COMMUNICATIONS LABORATORIES INC. 7255 30TH AVE. N. SAINT PETERSBURG, FL 33710 TEL: (727) 544-6254 FAX: (727) 381-6116 http://WWW.MCLI.COM	SCALE:	N/A		
			SHEET:	N/A		
DRAWING TITLE:		500 WATTS TERMINATION				
PART NO.:		PCT-500-NF				
DRAWN:	DATE:	UNLESS OTHERWISE SPECIFIED: TOLERANCES IN (INCHES) OR [mm] (MILLIMETERS) FRACTIONS: ± 1/64 DECIMALS: ±.01 ±.005 ANGLE: ±1/2°  PROPRIETARY NOTICE: THE INFORMATION IN THIS DRAWING IS PROPRIETARY AND SHALL NOT BE USED OR DISCLOSED WITHOUT WRITTEN PERMISSION FROM MICROWAVE COMMUNICATIONS LABORATORIES INC. (MCLI)  THIRD ANGLE PROJECTION	CAGE CODE:	SIZE:	REV:	DWG. NO.:
Paiboon Luekhamhan	11/18/2015		OD2L5	N/A	N/A	84081
APPROVED:	DATE:	DO NOT SCALE THE DRAWING				
T. Nguyen	11/18/2015					