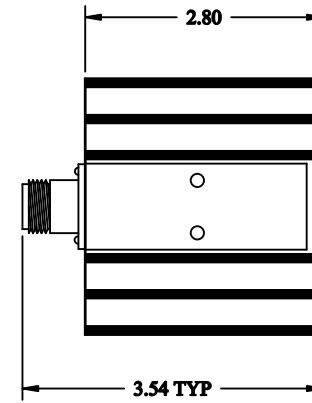
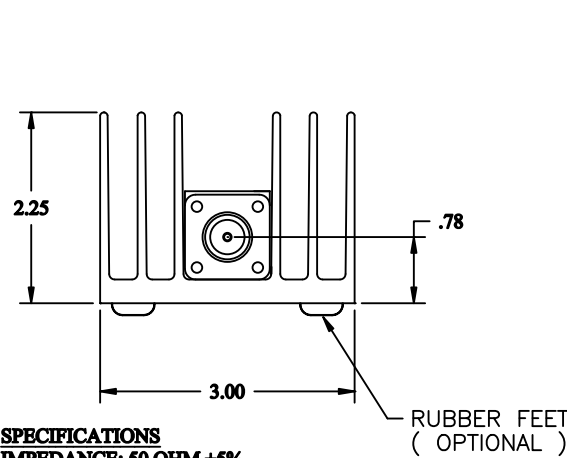


REVISIONS					
ZONE	REV	DESCRIPTION	Date	APPROVED	ECN#



SPECIFICATIONS
IMPEDANCE: 50 OHM ±5%
FREQUENCY RANGE: DC-2.4 GHz
VSWR: 1.10:1 DC-1.0 GHz
1.35:1 1.0 TO 2.4 GHz
PEAK POWER: 500 WATTS MAX.
WEIGHT: .75 LBS
THERMAL: DRY CONNECTION AIR COOLED
TC: ±100PPM/°C, -55°C TO +125°C
TEMPERATURE RANGE: -55°C TO +150°C
POWER RATING: POWER IS BASED ON A ROOM
TEMPERATURE OF 25°C DERATED
LINERALLY TO ZERO POWER AT
150°C

MATERIALS
HOUSING: BLACK ANODIZED ALUMINUM
HEAT SPREADER: COPPER
RESISTIVE ELEMENT: PROPRIETARY FILM
SUBSTRATE: BeO CERAMIC
CONNECTOR: TYPE N FEMALE

MATERIAL:		MICROWAVE COMMUNICATIONS LABORATORIES INC. 7255 30TH AVE. N. SAINT PETERSBURG, FL 33710 TEL: (727) 344-6254 FAX: (727) 381-6116 http://WWW.MCLI.COM		SCALE:	N/A
DRAWN: Paiboon Luekhamhan				DATE: 03-08-2005	SHEET:
APPROVED: T. Nguyen		DATE: 03-08-2005	DRAWING TITLE: 30 WATTS TERMINATION		
PROPRIETARY NOTICE: THE INFORMATION IN THIS DRAWING IS PROPRIETARY AND SHALL NOT BE USED OR DISCLOSED WITHOUT WRITTEN PERMISSION FROM MICROWAVE COMMUNICATIONS LABORATORIES INC. (MCLI)		PART NO.: PCT-30-NF		CAGE CODE: OD2L5	
UNLESS OTHERWISE SPECIFIED: TOLERANCES IN (INCHES) OR [mm] (MILLIMETERS) FRACTIONS: ± 1/64 DECIMALS: ±.01 ±.005 ANGLE: ±1/2°		THIRD ANGLE PROJECTION		SIZE: N/A DO NOT SCALE THE DRAWING	REV: N/A DWG NO.: 82317