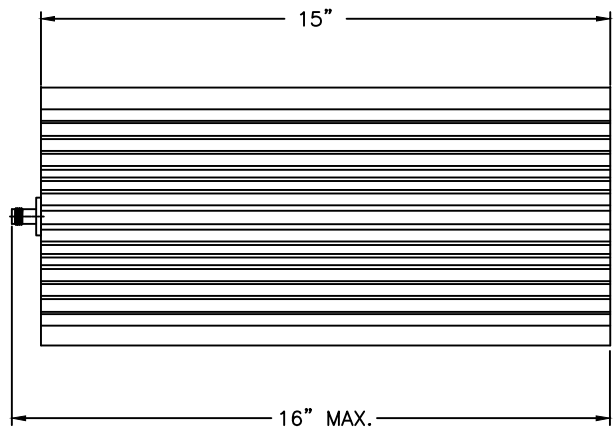
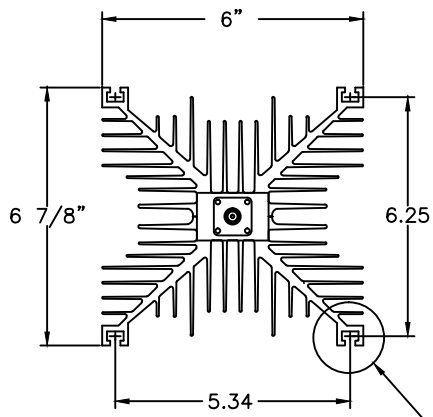


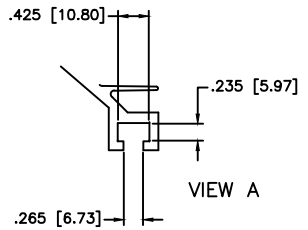
SPECIFICATIONS

IMPEDANCE: 50 OHMS
 FREQUENCY RANGE: DC-2.4 GHz
 VSWR (MAX): 1.20:1
 PEAK POWER: 2kW MAX.

REVISIONS					
ZONE	REV	DESCRIPTION	Date	APPROVED	ECN#



VIEW A



VIEW A

MATERIALS

HOUSING ALUMINUM, BLACK ANODIZE
 CONNECTOR TYPE "TNC" FEMALE
 HEAT SPREADER COPPER
 SUBSTRATE BERYLLIUM OXIDE
 RESISTIVE ELEMENT THICK FILM
 COOLING CONVECTION AIR FAN COOLED

MATERIAL:	
DRAWN: Paiboon Luekhamhan	DATE: 02/16/2016
APPROVED: T. Nguyen	DATE: 02/16/2016

MCLI MICROWAVE COMMUNICATIONS LABORATORIES INC.
 7255 30TH AVE. N. SAINT PETERSBURG, FL 33710
 TEL: (727) 344-6254 FAX: (727) 381-6116
 http://WWW.MCLI.COM

SCALE:	N/A
SHEET:	N/A

UNLESS OTHERWISE SPECIFIED:
 TOLERANCES
 IN (INCHES) OR [mm] (MILLIMETERS)
 FRACTIONS: ± 1/64
 DECIMALS: ±.01 ±.005
 ANGLE: ±1/2°

DRAWING TITLE:
 500 WATTS TERMINATION

PART NO.
 PCT-15-500/TF

PROPRIETARY NOTICE:
 THE INFORMATION IN THIS DRAWING IS PROPRIETARY
 AND SHALL NOT BE USED OR DISCLOSED WITHOUT WRITTEN
 PERMISSION FROM MICROWAVE COMMUNICATIONS
 LABORATORIES INC. (MCLI)
 THIRD ANGLE PROJECTION

CAGE CODE: OD2L5	SIZE: N/A	REV: N/A	DWG. NO. 84081
DO NOT SCALE THE DRAWING			