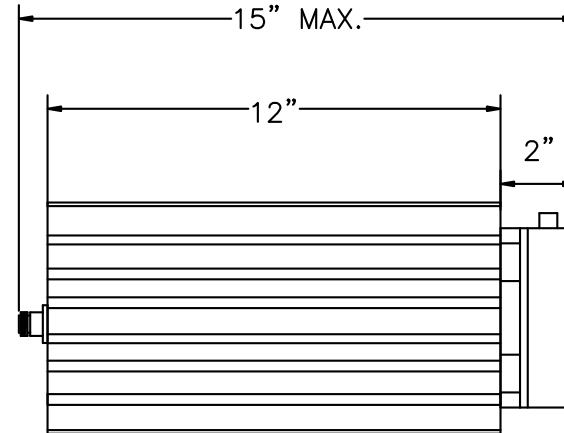
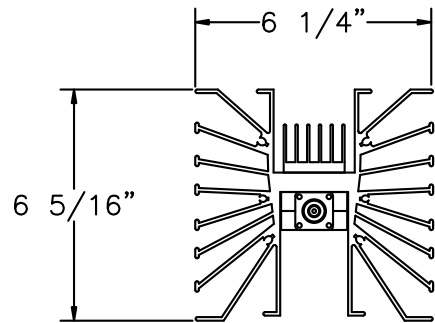


REVISIONS					
ZONE	REV	DESCRIPTION	Date	APPROVED	ECN#



MATERIALS

HOUSING ALUMINUM, BLACK ANODIZE
CONNECTOR TYPE "N" FEMALE CONFORMS TO MIL-C-39012
HEAT SPREADER COPPER
SUBSTRATE BERYLLIUM OXIDE
RESISTIVE ELEMENT THICK FILM
COOLING CONVECTION AIR FAN COOLED

SPECIFICATIONS

IMPEDANCE: 50 OHMS
FREQUENCY RANGE: DC TO 2.4 GHz
VSWR (MAX): 1.15:1-DC TO 1 GHz
1.35:1-1 TO 2.4 GHz
PEAK POWER: 2kW MAX.
WEIGHT: 17 lbs (7.7kg) MAX.

MATERIAL:		MICROWAVE COMMUNICATIONS LABORATORIES INC. 7255 30TH AVE. N. SAINT PETERSBURG, FL 33710 TEL: (727) 344-6254 FAX: (727) 381-6116 http://WWW.MCLI.COM	SCALE:	1:1
			SHEET:	N/A
DRAWING TITLE:		1000 WATTS TERMINATION		
PART NO.:		PCT-1000-NF		
UNLESS OTHERWISE SPECIFIED: TOLERANCES IN (INCHES) OR [mm] (MILLIMETERS) FRACTIONS: ± 1/64 DECIMALS: ±.01 ±.005 ANGLE: ±1/2°		CAGE CODE:	SIZE:	REV:
DRAWN: Paiboon Luekhamhan		DATE: 03-08-2005	N/A	N/A
APPROVED: T. Nguyen		DATE: 03-08-2005	OD2L5	DWG NO. 82307
<small>PROPRIETARY NOTICE: THE INFORMATION IN THIS DRAWING IS PROPRIETARY AND SHALL NOT BE USED OR DISCLOSED WITHOUT WRITTEN PERMISSION FROM MICROWAVE COMMUNICATIONS LABORATORIES INC. (MCLI)</small>		<small>THIRD ANGLE PROJECTION</small> 		
DO NOT SCALE THE DRAWING				