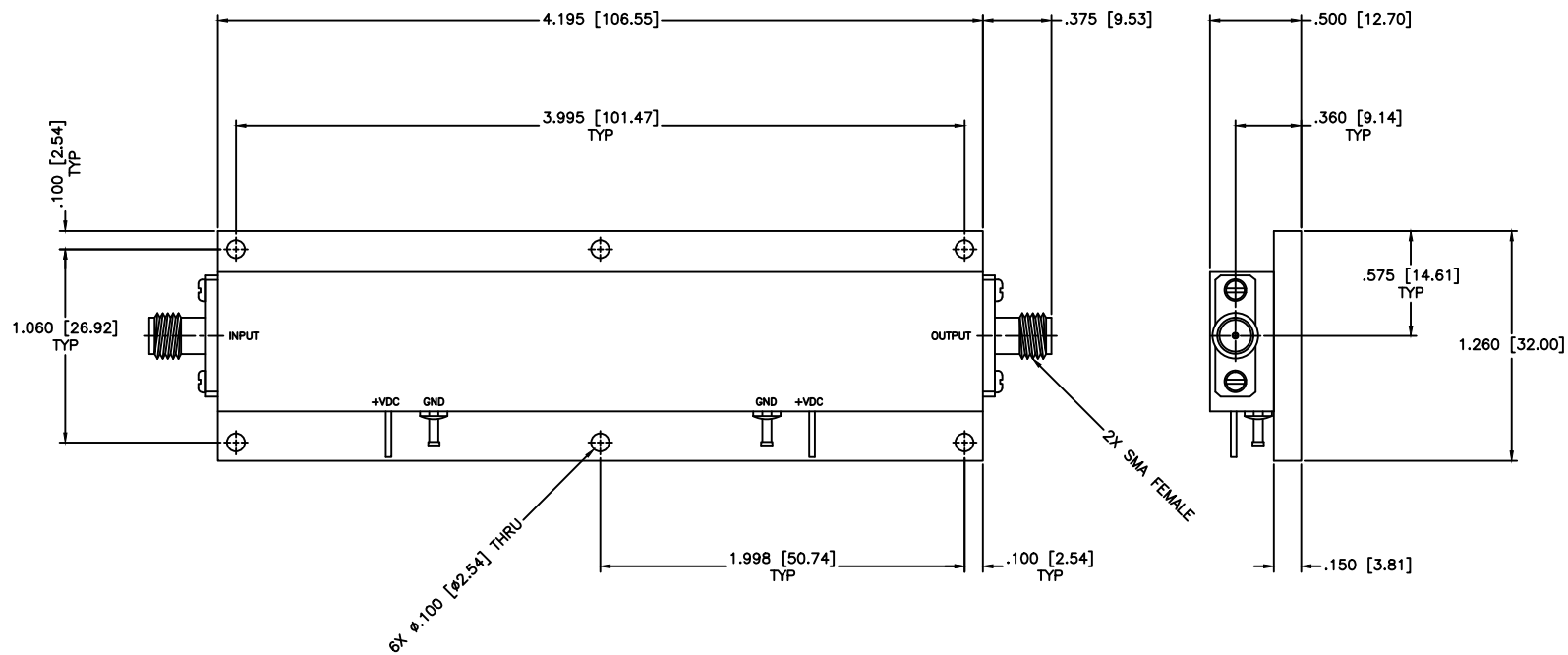


REVISIONS				
ZONE	REV	DESCRIPTION	DATE	APPROVED



SPECIFICATIONS @ +25°C

Frequency Range: 11.7–12.7 GHz
 Gain: 55dB Min./ 58dB Typ.
 Gain Flatness: ±.80dB Typ./ ±1.0dB Max.
 Noise Figure: 3.0dB Typ./ 6.0dB Max.
 Power Output: +10dBm Min./ +12dBm Typ. @ 1dB Comp. Point
 Input & Output VSWR: 1.50:1 Typ./2.00:1 Max.
 3rd Order ICP: +20dBm Typ. Two-tone Output
 Harmonic Level: -30dB Max. In Linear Region
 Maximum Input Power: +20dBm CW (Without Damage)
 DC Power: +12VDC Min./+15VDC Max./+18Vdc Absolute Max.
 Current: 400mA Typ.
 Operating Temperature: -20°C to +70°C
 Storage Temperature: -55°C to +95°C

MATERIAL:		MICROWAVE COMMUNICATIONS LABORATORIES INC. 7255 30TH AVE. N. SAINT PETERSBURG, FL 33710 TEL: (727) 344-6254 FAX: (727) 381-6116 http://WWW.MCLI.COM		SCALE:	N/A
				SHEET:	N/A
		UNLESS OTHERWISE SPECIFIED: TOLERANCES IN (INCHES) OR [mm] (MILLIMETERS) FRACTIONS: ± 1/64 DECIMALS: ±.06 ±.007 ANGLE: ±1/2°		DRAWING TITLE:	
				RF AMPLIFIER	
				PART NO.	
				PA-48	
DRAWN:		DATE:		CAGE CODE:	
Paiboon Luexhamhan		02-09-2016		OD2L5	
APPROVED:		DATE:		SIZE: A	
T. Nguyen		02-09-2016		REV: B	
				DWG NO.	
				81545	
				DO NOT SCALE THE DRAWING	

PROPRIETARY NOTICE:
 THE INFORMATION IN THIS DRAWING IS PROPRIETARY
 AND SHALL NOT BE USED OR DISCLOSED WITHOUT WRITTEN
 PERMISSION FROM MICROWAVE COMMUNICATIONS
 LABORATORIES INC. (MCLI)

THIRD ANGLE PROJECTION