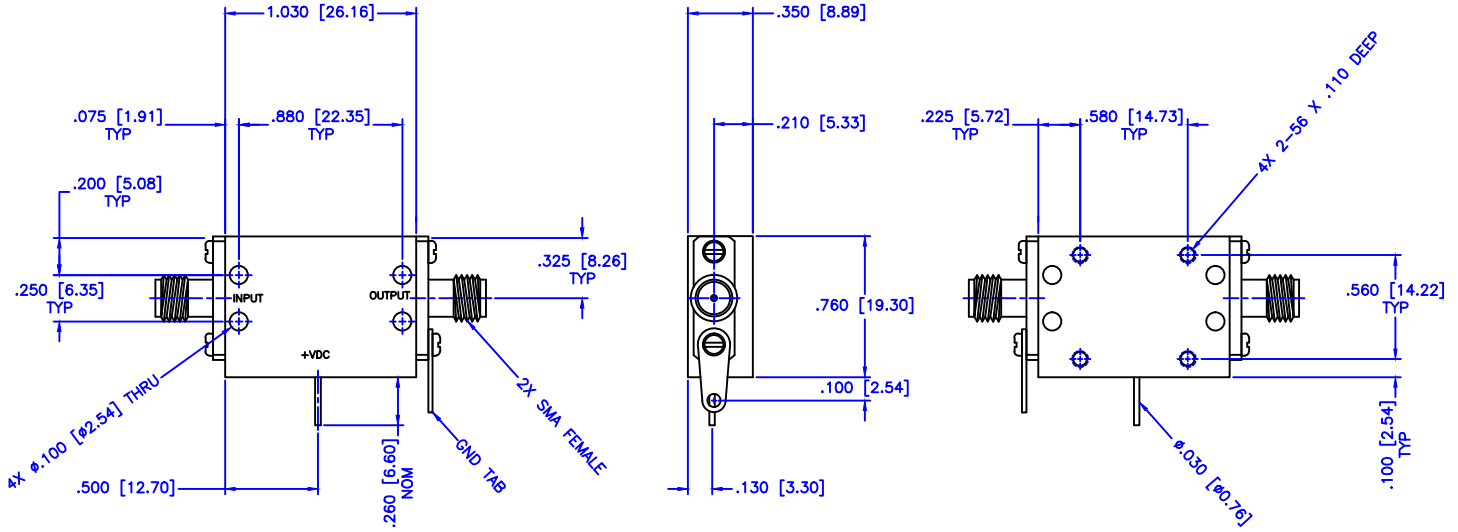


REVISIONS				
ZONE	REV	DESCRIPTION	DATE	APPROVED



SPECIFICATIONS @ +25°C

- Frequency Range: 7–12 GHz
- Gain: 23dB Min. 25dB Max.
- Gain Flatness: 0.8dB Max.
- VSWR: 1.50:1 Max.
- Noise Figure: 4.0dB Max.
- Power Output: +20dBm Min. @1dB Compression Point
- Max. Input Power: +20dBm CW (Without Damage)
- DC Power: +12Vdc to +15Vdc, 350mA Nominal
- Harmonic Power: 10dB, Below The Main Output for Input
- Spurious Power: 40dB, power levels of up to 0dBm
- Reverse Isolation: 32dB
- 3rd Order ICP: +30dBm Typ. Two-Tone (Output)
- Operating Temperature: -45°C to +85°C
- Storage Temperature: -55°C to +95°C

MATERIAL:			MICROWAVE COMMUNICATIONS LABORATORIES INC. 7255 30TH AVE. N. SAINT PETERSBURG, FL 33710 TEL: (727) 344-6254 FAX: (727) 381-6116 http://WWW.MCLI.COM		SCALE:	N/A
			UNLESS OTHERWISE SPECIFIED: TOLERANCES IN (INCHES) OR [mm] (MILLIMETERS) FRACTIONS: ± 1/64 DECIMALS: ±.02 ±.008 ANGLE: ±1/2°		SHEET:	N/A
DRAWING TITLE:		POWER AMPLIFIER				
PART NO.		PA-32				
DRAWN:	DATE:	PROPRIETARY NOTICE: THE INFORMATION IN THIS DRAWING IS PROPRIETARY AND SHALL NOT BE USED OR DISCLOSED WITHOUT WRITTEN PERMISSION FROM MICROWAVE COMMUNICATIONS LABORATORIES INC. (MCLI) THIRD ANGLE PROJECTION	CAGE CODE:	SIZE:	REV:	DWG NO.
APPROVED:	DATE:		OD2L5	A	N/A	86507
				DO NOT SCALE THE DRAWING		