

**MECHANICAL**

CONTACT: BREAK BEFORE MAKE  
 ACTUATOR: LATCHING  
 SWITCHING SPEED: 20 mSEC MAX

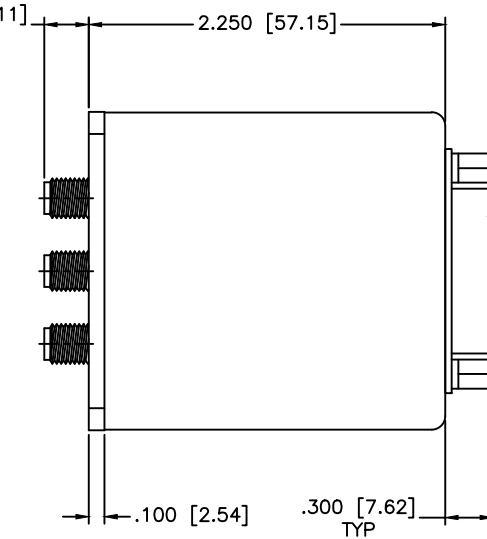
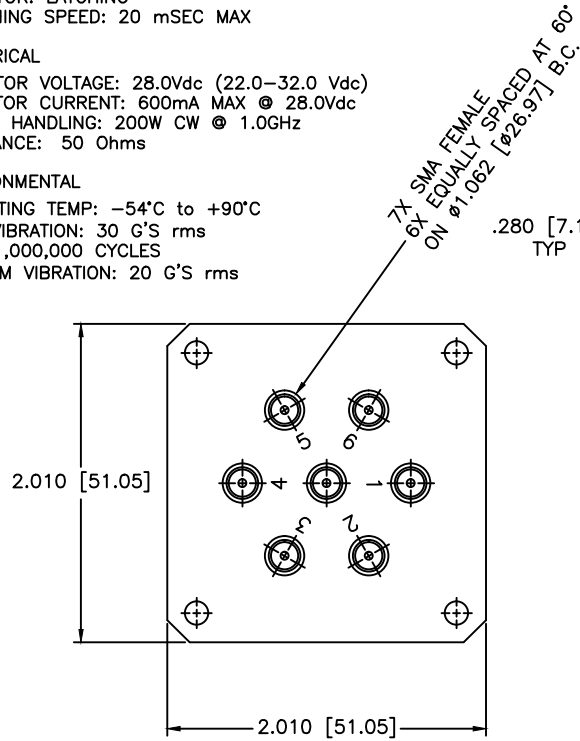
**ELECTRICAL**

ACTUATOR VOLTAGE: 28.0Vdc (22.0–32.0 Vdc)  
 ACTUATOR CURRENT: 600mA MAX @ 28.0Vdc  
 POWER HANDLING: 200W CW @ 1.0GHz  
 IMPEDANCE: 50 Ohms

**ENVIRONMENTAL**

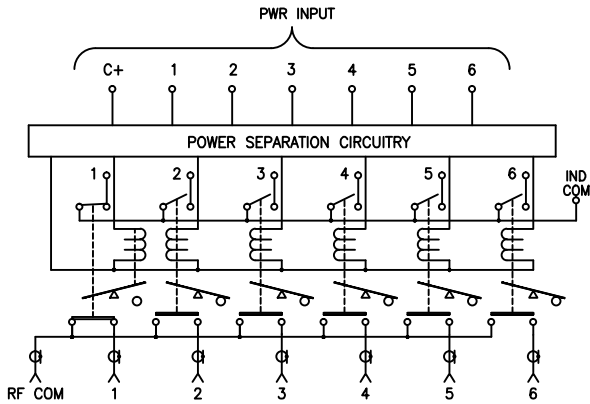
OPERATING TEMP: -54°C to +90°C  
 SINE VIBRATION: 30 G'S rms  
 LIFE: 1,000,000 CYCLES  
 RANDOM VIBRATION: 20 G'S rms

| REVISIONS |     |             |      |          |
|-----------|-----|-------------|------|----------|
| ZONE      | REV | DESCRIPTION | Date | APPROVED |
|           |     |             |      |          |



**SPECIFICATIONS**

Frequency Range: DC–13.0 GHz  
 VSWR: 1.50:1 Max.  
 Insertion Loss: 0.50dB Max.  
 Isolation: 60dB Min.  
 Impedance: 50 Ohms  
 Low Intermodulation (PIM)



MATERIAL:

|                                |                     |
|--------------------------------|---------------------|
| DRAWN:<br>Paiboon Luengkhamhan | DATE:<br>06-24-2009 |
| APPROVED:<br>T. Nguyen         | DATE:<br>06-24-2009 |

|   |  |
|---|--|
| <p>MICROWAVE COMMUNICATIONS LABORATORIES INC.<br/>                 7255 30TH AVE. N. SAINT PETERSBURG, FL 33710<br/>                 TEL: (727) 344-6254 FAX: (727) 381-6116<br/>                 http://WWW.MCLI.COM</p>                       | SCALE:<br>N/A                                |
|   | SHEET:<br>N/A                                |
| <p>UNLESS OTHERWISE SPECIFIED:<br/>                 TOLERANCES<br/>                 IN (INCHES) OR [mm] (MILLIMETERS)<br/>                 FRACTIONS: ± 1/64<br/>                 DECIMALS: ± .02 ± .008<br/>                 ANGLE: ± 1/2°</p> | DRAWING TITLE:<br>ELECTROMECHANICAL SWITCHES |
| <p>THIRD ANGLE PROJECTION</p>   | PART NO.<br>06-7-LI/28P/LPM/C                |
| CAGE CODE:<br>OD2L5   | SIZE: N/A<br>REV: N/A<br>DWG NO.: 84546      |
| DO NOT SCALE THE DRAWING  |  |