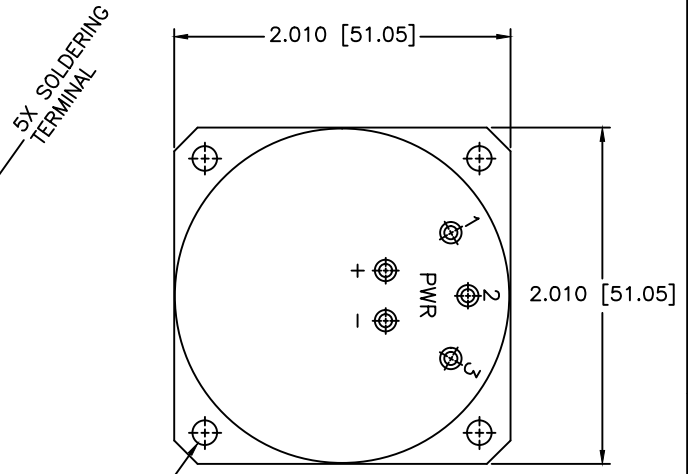
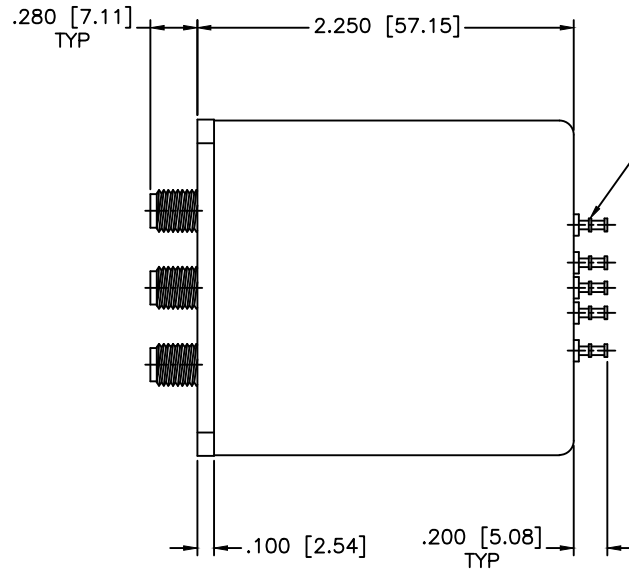
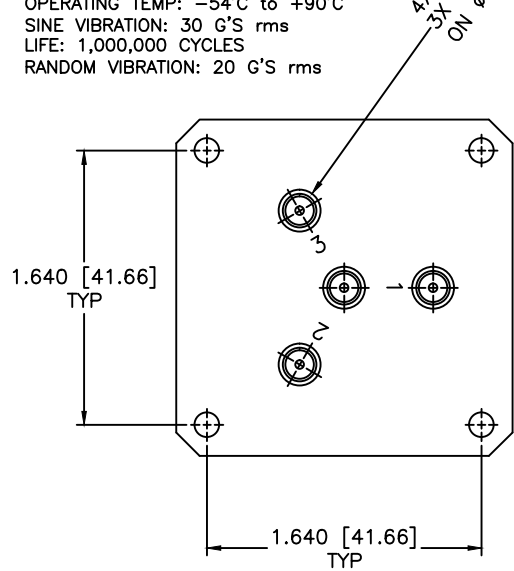


MECHANICAL  
 CONTACT: BREAK BEFORE MAKE  
 ACTUATOR: LATCHING  
 SWITCHING SPEED: 20 mSEC MAX

ELECTRICAL  
 ACTUATOR VOLTAGE: 15.0±3.0 Vdc  
 ACTUATOR CURRENT: 250mA MAX @ 15.0Vdc  
 POWER HANDLING: 200W CW @ 1.0GHz  
 IMPEDANCE: 50 Ohms

ENVIRONMENTAL  
 OPERATING TEMP: -54°C to +90°C  
 SINE VIBRATION: 30 G'S rms  
 LIFE: 1,000,000 CYCLES  
 RANDOM VIBRATION: 20 G'S rms

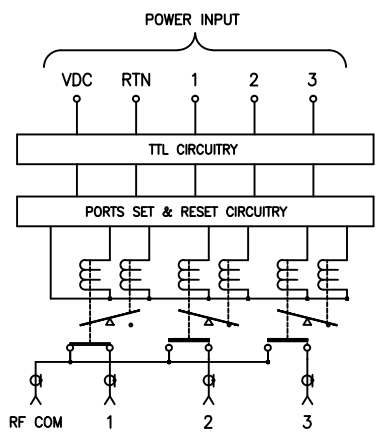
4X SMA FEMALE  
 3X EQUALLY SPACED AT 120°  
 ON Ø1.062 [Ø26.97] B.C.



4X Ø.147 [Ø3.73] THRU

SPECIFICATIONS

Frequency Range: DC-6.0 GHz  
 VSWR: 1.60:1 Max.  
 Insertion Loss: 0.30dB Max.  
 Isolation: 80dB Min.  
 Impedance: 50 Ohms



REVISIONS				
ZONE	REV	DESCRIPTION	Date	APPROVED

MATERIAL:	
DRAWN:	DATE:
Paiboon Luexhamhan	09-24-2003
APPROVED:	DATE:
T. Nguyen	09-24-2003

<b>MCLI</b> MICROWAVE COMMUNICATIONS LABORATORIES INC. 7255 30TH AVE. N. SAINT PETERSBURG, FL 33710 TEL: (727) 344-6254 FAX: (727) 381-6116 http://WWW.MCLI.COM	SCALE:	N/A
	SHEET:	N/A
UNLESS OTHERWISE SPECIFIED: TOLERANCES IN (INCHES) OR [mm] (MILLIMETERS) FRACTIONS: ± 1/64 DECIMALS: ±.02 ±.008 ANGLE: ±1/2°	DRAWING TITLE:	
FREQUENCY NOTES: THE INFORMATION IN THIS DRAWING IS PROPRIETARY AND SHALL NOT BE USED OR DISCLOSED WITHOUT WRITTEN PERMISSION FROM MICROWAVE COMMUNICATIONS LABORATORIES INC. (MCLI)	ELECTROMECHANICAL SWITCHES	
THIRD ANGLE PROJECTION	PART NO.	
	03-3-LL/15P	
CAGE CODE:	SIZE:	REV:
OD2L5	N/A	N/A
DO NOT SCALE THE DRAWING		DWG NO.
		82812