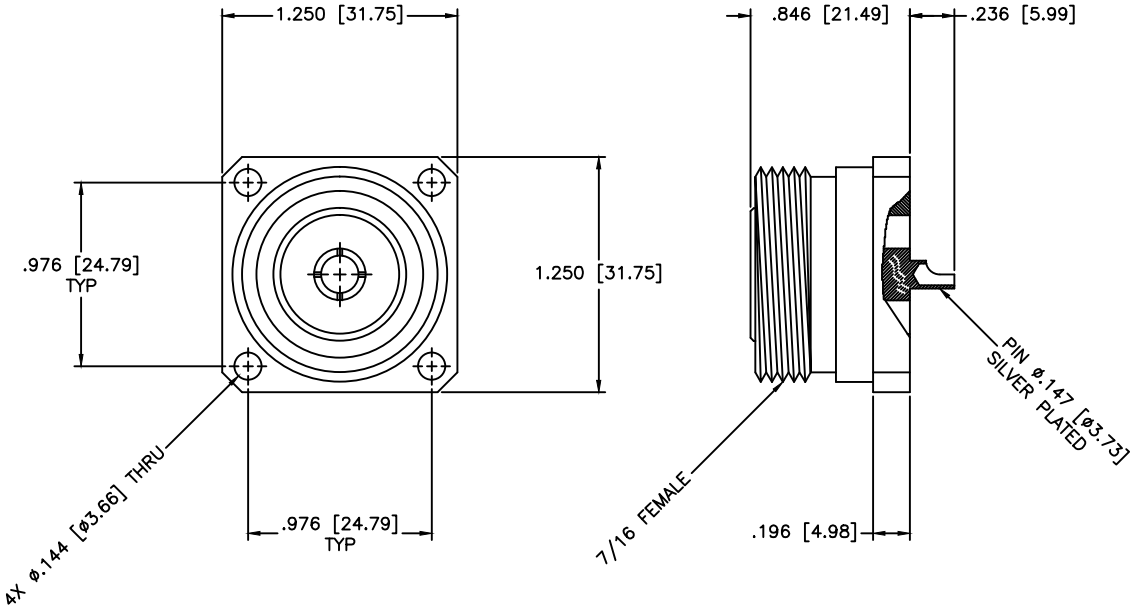


REVISIONS				
ZONE	REV	DESCRIPTION	Date	APPROVED



SPECIFICATIONS

Frequency Range: DC-2 GHz
 VSWR: 1.05 Max.
 Impedance: 50 OHMS
 Temperature Range: -55°C to +85°C

MATERIAL & FINISHING

Shell: Brass, Tri-alloy plated
 Contact: Copper, Silver plated
 Insulator: PTFE Teflon

MATERIAL: BRASS		MICROWAVE COMMUNICATIONS LABORATORIES INC. 7255 30TH AVE. N. SAINT PETERSBURG, FL 33710 TEL: (727) 344-6254 FAX: (727) 381-6116 http://WWW.MCLI.COM		SCALE: N/A
UNLESS OTHERWISE SPECIFIED: TOLERANCES IN (INCHES) OR [mm] (MILLIMETERS) FRACTIONS: ± 1/64 DECIMALS: ± .01 ± .005 ANGLE: ± 1/2°		DRAWING TITLE: 7/16 FEMALE CONNECTOR		
DRAWN: Paiboon Luekhamhan	DATE: 05-25-1999	PART NO. MC716-100		
APPROVED: T. Nguyen	DATE: 05-25-1999	CAGE CODE: OD2L5	SIZE: A	REV: N/A
FREQUENCY NOTES: THE INFORMATION IN THIS DRAWING IS PROPRIETARY AND SHALL NOT BE USED OR DISCLOSED WITHOUT WRITTEN PERMISSION FROM MICROWAVE COMMUNICATIONS LABORATORIES INC. (MCLI)		DO NOT SCALE THE DRAWING		DWG NO. 82037