

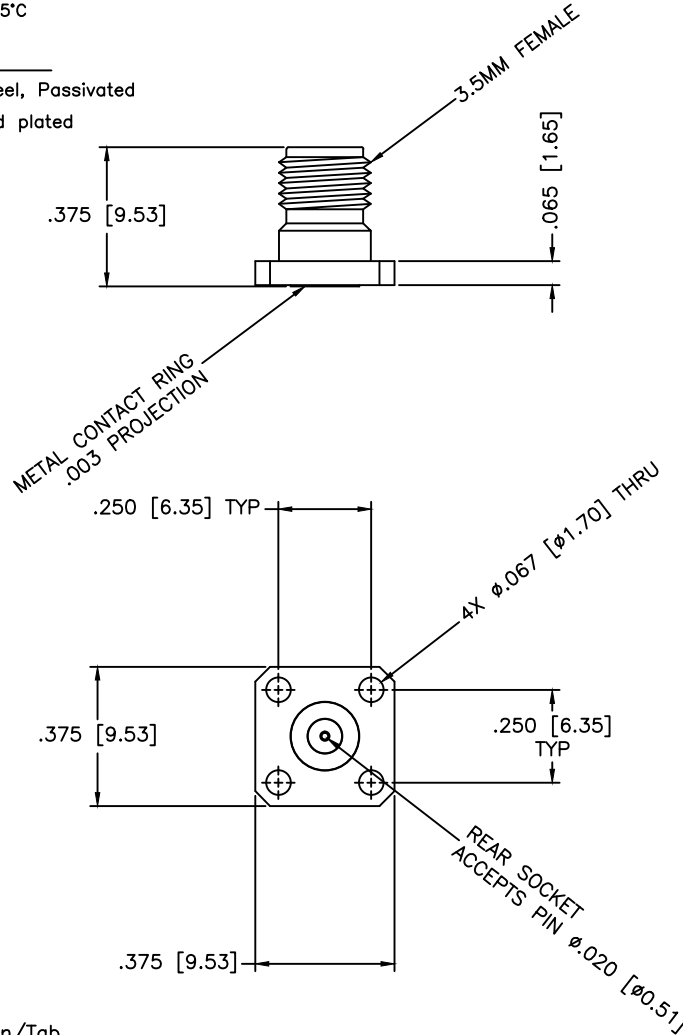
REVISIONS				
ZONE	REV	DESCRIPTION	DATE	APPROVED

SPECIFICATIONS

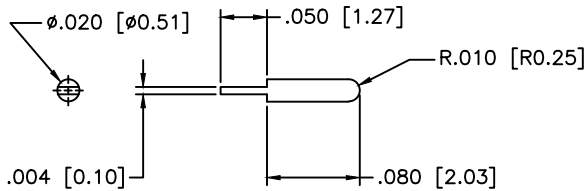
Frequency Range: DC-34 GHz
 VSWR: 1.25 Max.
 Impedance: 50 OHMS
 Temperature Range: -65°C to +85°C

MATERIAL & FINISHING

Shell: Stainless steel, Passivated
 Contact: Copper, Gold plated
 Insulator: PTFE Teflon



Launch Pin/Tab



MATERIAL:		MICROWAVE COMMUNICATIONS LABORATORIES INC. 7255 30TH AVE. N. SAINT PETERSBURG, FL 33710 TEL: (727) 344-6254 FAX: (727) 381-6116 http://WWW.MCLI.COM		SCALE:	N/A	
		UNLESS OTHERWISE SPECIFIED: TOLERANCES IN (INCHES) OR [mm] (MILLIMETERS) FRACTIONS: ± 1/64 DECIMALS: ±.01 ±.003 ANGLE: ±1/2°		DRAWING TITLE:	3.5mm FEMALE CONNECTOR	
DRAWN:	Paiboon Luekhamhan	DATE:	07-16-2012	PART NO. MC350-020		
APPROVED:	T. Nguyen	DATE:	07-16-2012	CAGE CODE:	SIZE: A	REV: N/A
PROPRIETARY NOTICE: THE INFORMATION IN THIS DRAWING IS PROPRIETARY AND SHALL NOT BE USED OR DISCLOSED WITHOUT WRITTEN PERMISSION FROM MICROWAVE COMMUNICATIONS LABORATORIES INC. (MCLI)		THIRD ANGLE PROJECTION 		OD2L5	DO NOT SCALE THE DRAWING	DWG NO. 86134