

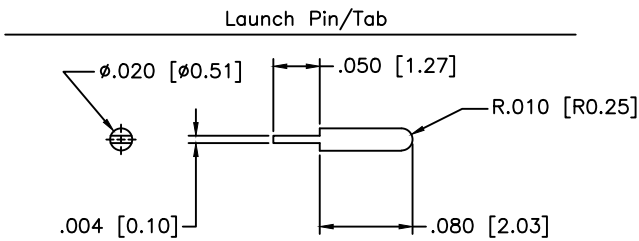
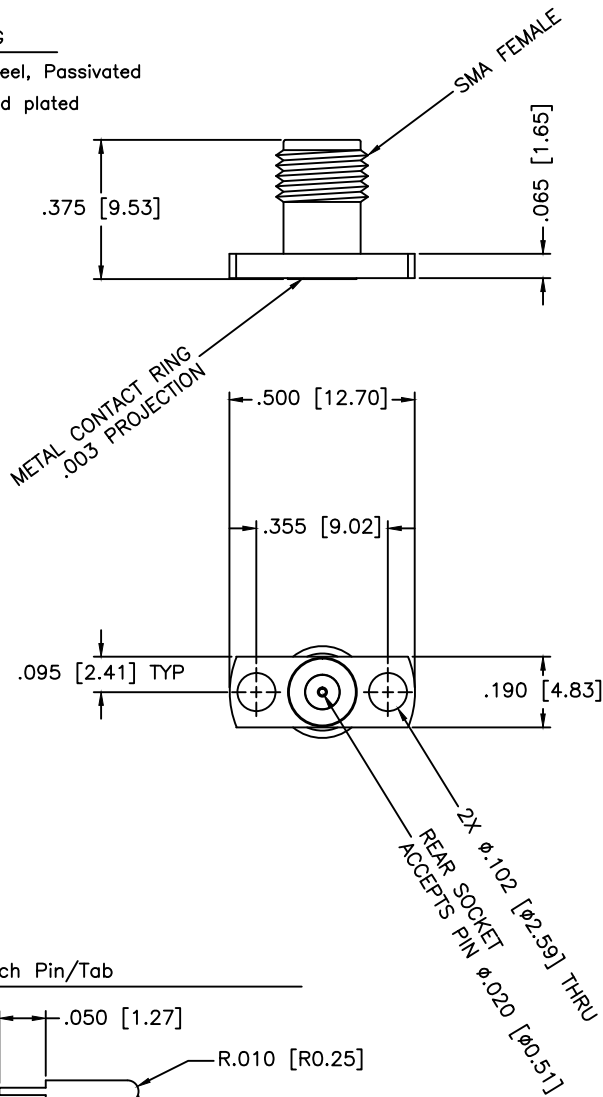
REVISIONS				
ZONE	REV	DESCRIPTION	DATE	APPROVED

SPECIFICATIONS

Frequency Range: DC-27 GHz
 VSWR: 1.25 Max.
 Impedance: 50 OHMS
 Temperature Range: -65°C to +85°C

MATERIAL & FINISHING

Shell: Stainless steel, Passivated
 Contact: Copper, Gold plated
 Insulator: PTFE Teflon



MATERIAL:			MICROWAVE COMMUNICATIONS LABORATORIES INC. 7255 30TH AVE. N. SAINT PETERSBURG, FL 33710 TEL: (727) 344-6254 FAX: (727) 381-6116 http://WWW.MCLI.COM		SCALE:	N/A
			UNLESS OTHERWISE SPECIFIED: TOLERANCES IN (INCHES) OR [mm] (MILLIMETERS) FRACTIONS: ± 1/64 DECIMALS: ±.01 ±.003 ANGLE: ±1/2°		DRAWING TITLE:	SMA FEMALE CONNECTOR
DRAWN:	Paiboon Luekhamhan	DATE:	06-21-2013	PROPRIETARY NOTICE:	THE INFORMATION IN THIS DRAWING IS PROPRIETARY AND SHALL NOT BE USED OR DISCLOSED WITHOUT WRITTEN PERMISSION FROM MICROWAVE COMMUNICATIONS LABORATORIES INC. (MCLI)	
APPROVED:	T. Nguyen	DATE:	06-21-2013	THIRD ANGLE PROJECTION		
				DRAWING TITLE:	SMA FEMALE CONNECTOR	
				PART NO.	MC27-360	
				CAGE CODE:	SIZE: A	REV: N/A
				OD2L5	DWG NO. 86290	
				DO NOT SCALE THE DRAWING		