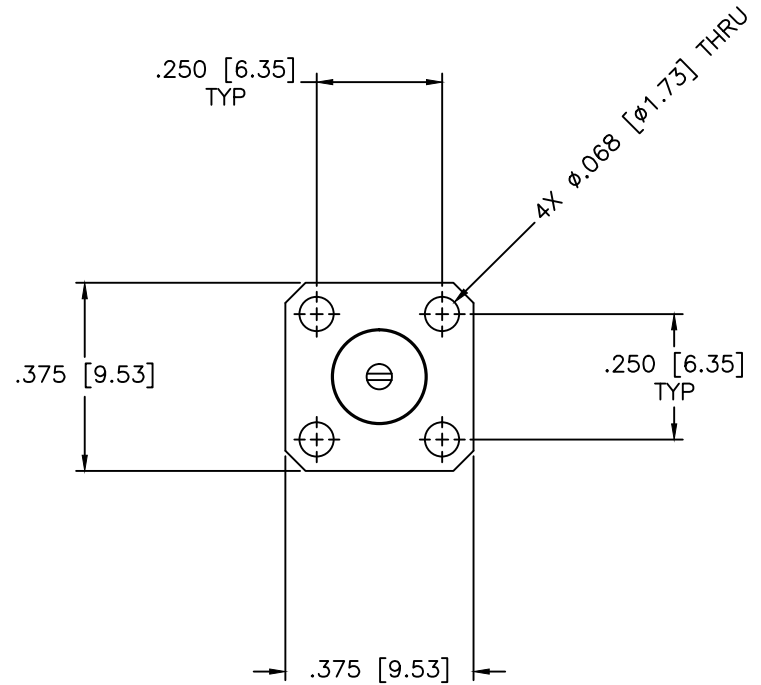
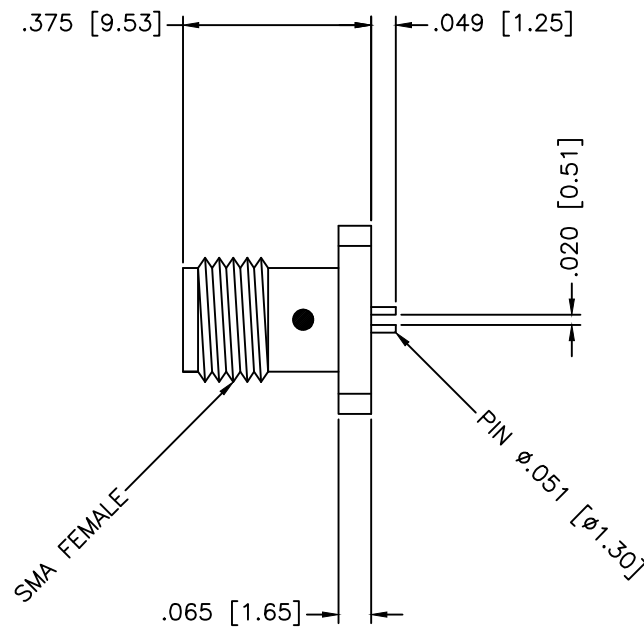


REVISIONS				
ZONE	REV	DESCRIPTION	Date	APPROVED



SPECIFICATIONS

Frequency Range: DC-18 GHz
 VSWR: 1.10 Max.
 Impedance: 50 OHMS
 Temperature Range: -55°C to +85°C

MATERIAL & FINISHING

Shell: Stainless Steel, Passivated
 Contact: Copper, Gold Plated
 Insulator: PTFE Teflon

MATERIAL:		MCLI MICROWAVE COMMUNICATIONS LABORATORIES INC. 7255 30TH AVE. N. SAINT PETERSBURG, FL 33710 TEL: (727) 344-6254 FAX: (727) 381-6116 http://www.mcli.com	SCALE:	N/A
			SHEET:	N/A
DRAWING TITLE:		SMA FEMALE CONNECTOR, SLOTTED PIN		
PART NO.:		MC18-450		
DRAWN: Paiboon Luekhamhan DATE: 10-16-2009	DATE: 10-16-2009	UNLESS OTHERWISE SPECIFIED: TOLERANCES IN (INCHES) OR (mm) (MILLIMETERS) FRACTIONS: ± 1/64 DECIMALS: ± .01 ± .005 ANGLE: ± 1/2°	CAGE CODE:	SIZE: N/A REV: N/A DO NOT SCALE THE DRAWING
APPROVED: T. Nguyen	DATE: 10-16-2009	PERMISSIBLE MARKS: THE INFORMATION ON THIS DRAWING IS PROPRIETARY AND SHALL NOT BE USED OR DISCLOSED WITHOUT WRITTEN PERMISSION FROM MICROWAVE COMMUNICATIONS LABORATORIES INC. (MCLI)	DWG NO.: 86133	