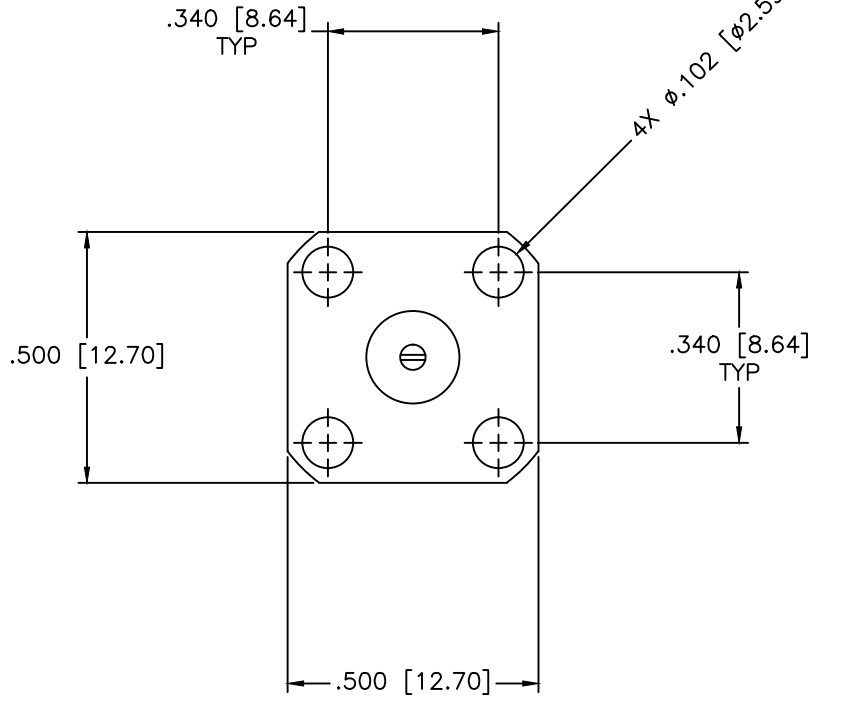
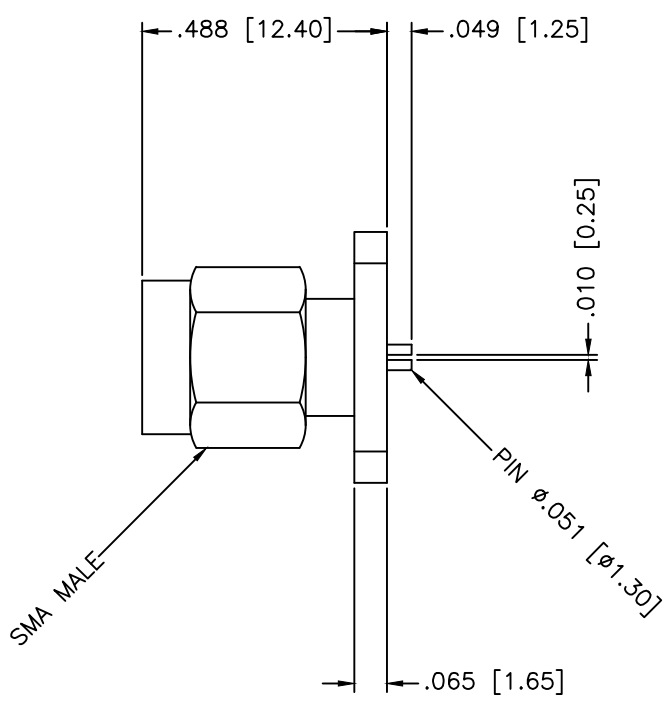


REVISIONS				
ZONE	REV	DESCRIPTION	Date	APPROVED



SPECIFICATIONS

Frequency Range: DC-18 GHz
 VSWR: 1.10 Max.
 Impedance: 50 OHMS
 Temperature Range: -55°C to +85°C

MATERIAL & FINISHING

Shell: Stainless Steel, Passivated
 Contact: Copper, Gold Plated
 Insulator: PTFE Teflon

MATERIAL:		MCLI MICROWAVE COMMUNICATIONS LABORATORIES INC. 7255 30TH AVE. N. SAINT PETERSBURG, FL 33710 TEL: (727) 344-6254 FAX: (727) 381-8116 http://WWW.MCLI.COM	SCALE:	N/A
DRAWING:			DRAWING TITLE:	SMA MALE CONNECTOR, SLOTTED PIN
DATE:		UNLESS OTHERWISE SPECIFIED: TOLERANCES IN (INCHES) OR (mm) (MILLIMETERS) FRACTIONS: ± 1/64 DECIMALS: ± 0.01 ± 0.05 ANGLE: ± 1/2°	PART NO.:	MC18-420
APPROVED:	T. Nguyen	ESSENTIAL NOTICE: THE INFORMATION IN THIS DRAWING IS PROPRIETARY AND SHALL NOT BE USED OR DISCLOSED WITHOUT WRITTEN PERMISSION FROM MICROWAVE COMMUNICATIONS LABORATORIES INC. (MCLI)	CAGE CODE:	OD2L5
DATE:	10-05-2009	THIRD ANGLE PROJECTION 	SIZE:	N/A
DATE:	10-05-2009		REV:	N/A
			DWG NO.:	84597
DO NOT SCALE THE DRAWING				